

1543CTN – EVERYDAY SHOWERS

inches (mm)

54 x 27 ½ x 72 (1370 x 700 x 1830) • Fax on Demand #1035



FEATURES

- Shower stall
- Textured tile finish
- Molded toiletry shelves
- Space saving design (Not listed by IAPMO or FHA)
- Slip-resistant textured bottom
- Center drain
- Gelcoat surface
- 5-year limited warranty

OPTIONS

- Grab bar reinforcement
- Factory installed assisted care grab bars
- Brass shower drain
- Shower door series: L0517

AQUATIC ADVANTAGE

- National distribution
- 5 manufacturing facilities
- Private fleet
- Centralized customer service
- Field support
- 24-hour fax-on-demand

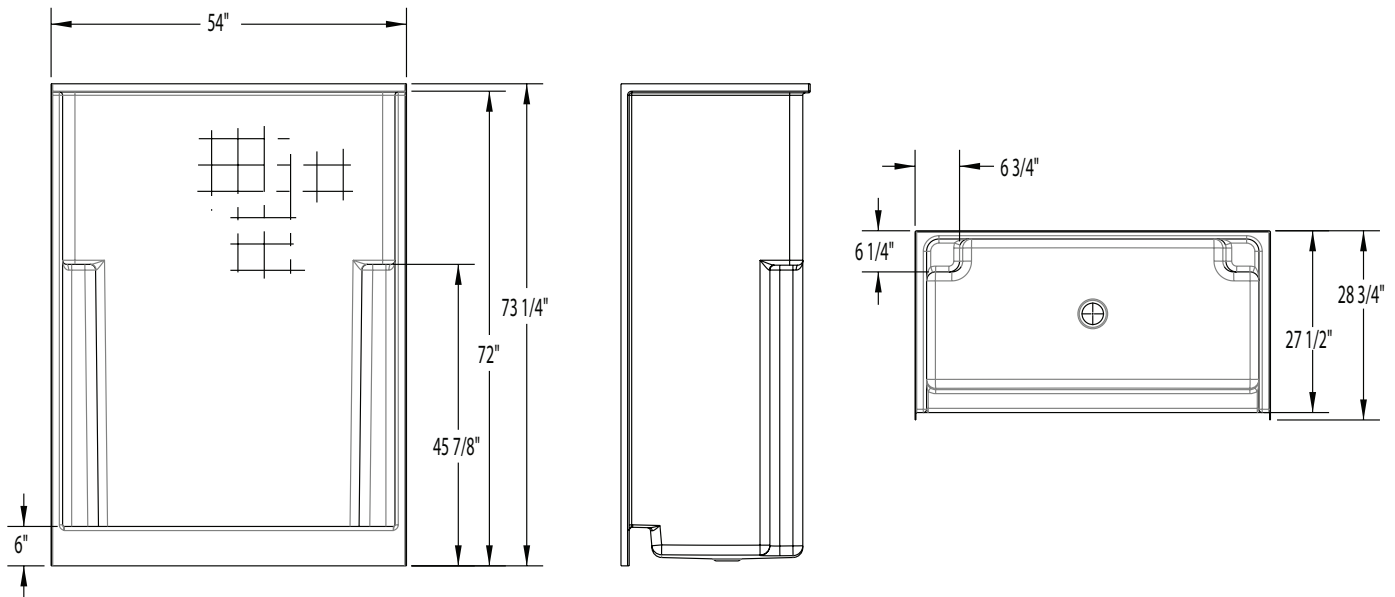
COLOR & TRIM OPTIONS

Stock	Premium
Almond	Black
Biscuit	Mexican Sand
Bone	Sand Bar
Linen	
Sterling Silver	
White	



1543CTN

54 x 27 1/2 x 72 (1370 x 700 x 1830)
inches (mm)



FEATURES lbs (kg) Dimensional Tolerance $\pm \frac{3}{8}$ ". Dimensions needed for site preparation should be measured from the unit. Aquatic assumes no responsibility for preparatory work.

Model #	Material	Wall Finish	Pieces	Drain	Seat	Net Wt.	Pkg. Wt.
Shower #1543CTN	Gelcoat	Textured Tile	1	Center	-	103 (47)	108 (49)

DIMENSIONS

Specifications	inches (mm)
Width: Overall / Net	54 (1370)
Depth: Overall / Net	28 3/4 (730) / 27 1/2 (700)
Height: Overall / Net	73 1/4 (1860) / 72 (1830)
Enclosure Opening	50 1/2 (1285)
Skirt Height	6 (150)
Drain Rough-In (from Back Wall)	12 5/8 (320)
Drain Rough-In (from Side Wall)	27 (685)
Drain: Diameter / Clearance	3 1/4 (85) / 1 (25)

FRAMING DIMENSIONS inches (mm)

Type	D Depth	W Width	H Height	A	B	C
Alcove	28 3/4 (730)	54 1/8 (1375)	-	Box Out	27 (685)	12 5/8 (320)

