

PREAKNESS – BUILDERS' CHOICE

inches (mm)

59 ½ x 59 ½ x 21 ½ (1510 x 1510 x 545) • Fax on Demand #5126

SOAKER MODEL #9560620

WHIRLPOOL MODEL #9560621



AQUATIC ADVANTAGE

- National distribution
- 5 manufacturing facilities
- Private fleet
- Centralized customer service
- Field support
- 24-hour fax-on-demand

COLOR & TRIM OPTIONS

Stock

- Almond (C)
- Bone (C)
- Biscuit (C)
- Sterling Silver (C)
- White (C)

C = Color Matched Trim

FEATURES

- 8 hydrotherapy jets
- .75 hp pump
- Advanced safety suction system
- Bath-side on/off button
- Sculpted armrests
- Slip-resistant floor
- Center Front drain
- Lucite cast acrylic surface
- Limited 10-year warranty

OPTIONS

- Comfort pillow:
Biscuit, Black, White
- 1.5kW inline maintenance heater
- Cable drive waste & overflow:
Chrome, Oil Rubbed Bronze,
Polished Brass, Brushed Nickel,
Color Matched (Biscuit,
Bone, White)
- Lift & turn waste & overflow:
Chrome, Oil Rubbed Bronze,
Polished Brass, Brushed Nickel
- Tile flange
- Optional pump location



AQUATIC

Where Inspiration Takes Shape

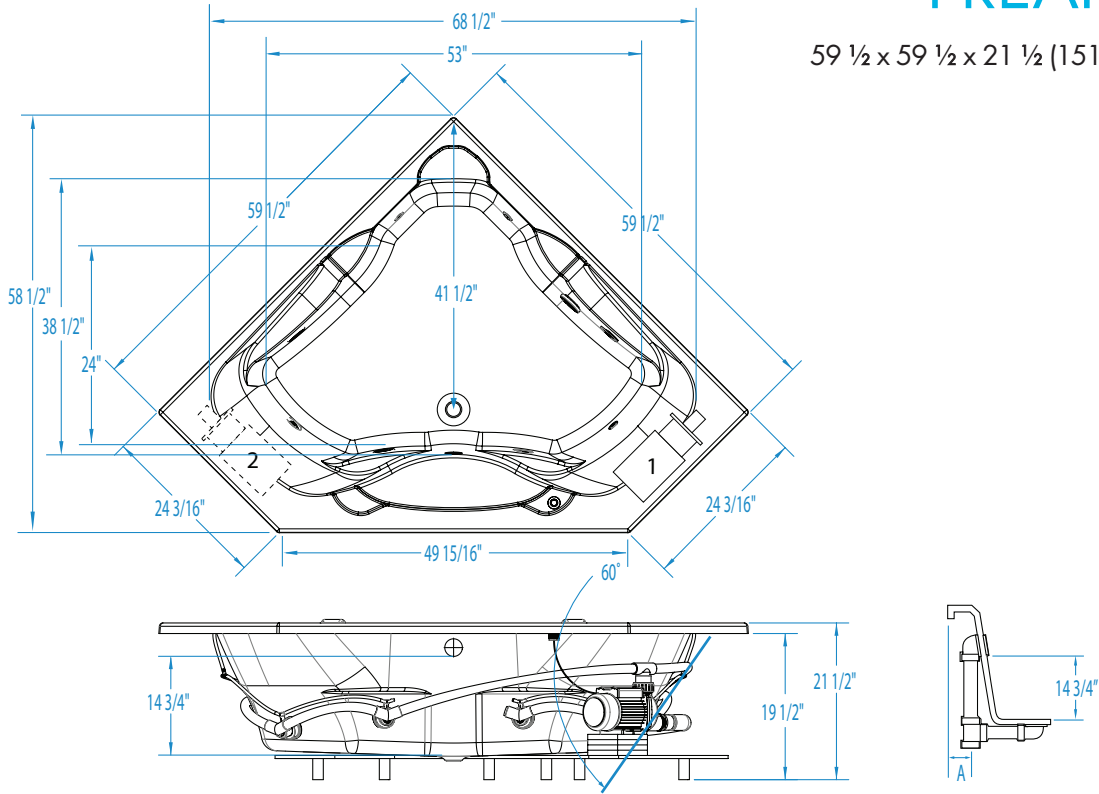


Two Person Bath



PREAKNESS

59 1/2 x 59 1/2 x 21 1/2 (1510 x 1510 x 545)
inches (mm)



FEATURES lbs (kg) Dimensional Tolerance ± 3/8". Dimensions needed for site preparation should be measured from the unit. Aquatic assumes no responsibility for preparatory work.

Type and Model #	Material	Jets	Pump	Heater	Controls	Drain	Pkg. Wt.
Soaker #9560620	Acrylic	0	–	–	–	Center Front	116 (53)
Whirlpool #9560621	Acrylic	8	0.75 HP	1.5kW inline (optional)	Pneumatic	Center Front	166 (75)

DIMENSIONS inches (mm)

Width Overall / Net	Depth Overall / Net	Height Overall / Net	Skirt Height
59 1/2 (1510)	59 1/2 (1510)	21 1/2 (545) / 19 1/2 (495)	–

SUMP DATA inches (mm)

Capacity to Overflow gal (ltr)	Min. Operating Capacity gal (ltr)	WIDTH @ centerline		DEPTH @ centerline	
		Top	Bottom	Top	Bottom
85 (322)	73 (276)	68 1/2 (1740)	53 (1345)	38 1/2 (980)	24 (610)

PLUMBING DIMENSIONS inches (mm)

A	Drain to Overflow	Drain Diameter / Clearance
10 1/2 (265)	14 3/4 (375)	2 (50) / 1 3/8 (35)

ELECTRICAL DATA

Component	Specification	Requirement
Pump	.75 HP; 5 AMP; 120 V	15 AMP; 120V, separate circuit; Class A GFCI
Optional Heater (whirlpool model)	1.5KW; 12.5 AMP; 110 V	15 AMP; 120V, separate circuit; Class A GFCI

NOTES:

1) Where applicable, utilize cut-out templates packed with unit for deck cutouts.

2) 16 x 20 (405 x 510) minimum access required at pump/blower location(s).