

# MONTROSE I – BUILDERS' CHOICE

inches (mm)

60 x 36 x 21 ½ (1525 x 915 x 545) • Fax on Demand #5038

SOAKER MODEL #4160620

WHIRLPOOL MODEL #4160621



## AQUATIC ADVANTAGE

- National distribution
- 5 manufacturing facilities
- Private fleet
- Centralized customer service
- Field support
- 24-hour fax-on-demand

## COLOR & TRIM OPTIONS

### Stock

- Almond (C)
- Bone (C)
- Linen/Biscuit (C)
- Sterling Silver (C)
- White (C)

C = Color Matched Trim

## FEATURES

- 8 hydrotherapy jets
- .75 hp pump
- Advanced safety suction system
- Bath-side on/off button
- Acrylic grab bars
- Sculpted armrests
- Slip-resistant floor
- Universal drain
- Lucite cast acrylic surface
- Limited 10-year warranty

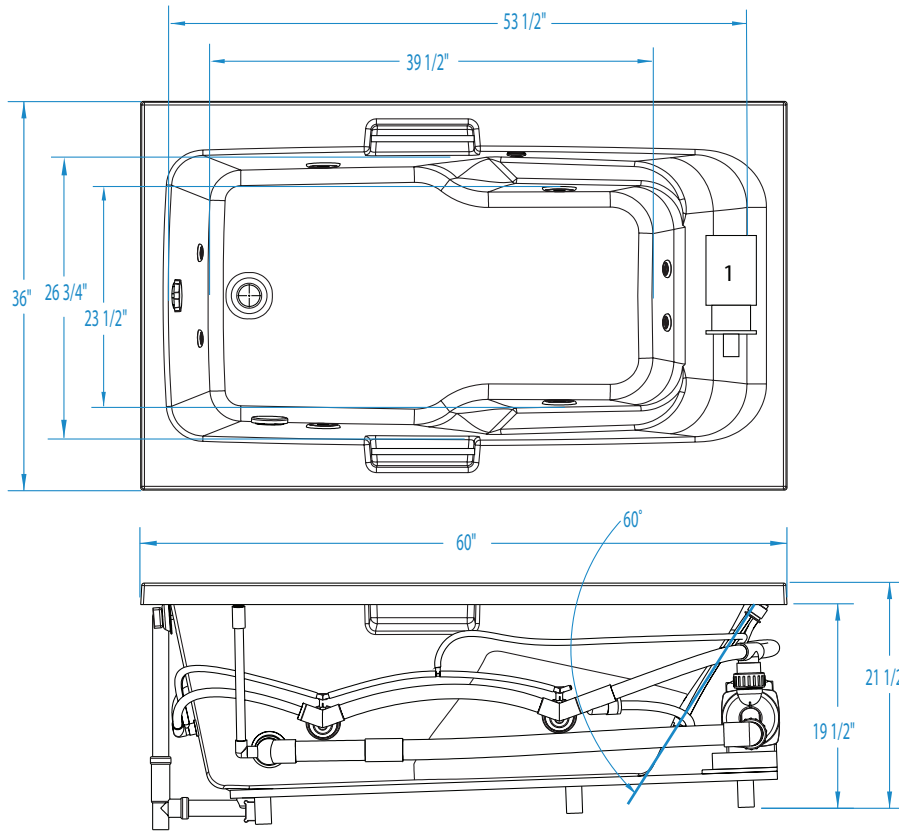
## OPTIONS

- Comfort pillow: Biscuit, Black, White
- 1.5kW inline maintenance heater
- Grab bar(s): Chrome, Oil Rubbed Bronze, Polished Brass, Brushed Nickel, Color matched (Biscuit, White, Acrylic)
- Cable drive waste & overflow: Chrome, Oil Rubbed Bronze, Polished Brass, Brushed Nickel, Color Matched (Biscuit, Bone, White)
- Lift & turn waste & overflow: Chrome, Oil Rubbed Bronze, Polished Brass, Brushed Nickel
- Tile flange
- Acrylic skirt: Color Matched
- Optional pump location



# MONTROSE I

60 x 36 x 21 1/2 (1525 x 915 x 545)  
inches (mm)



**FEATURES** lbs (kg) Dimensional Tolerance ± 3/8". Dimensions needed for site preparation should be measured from the unit. Aquatic assumes no responsibility for preparatory work.

Type and Model #	Material	Jets	Pump	Heater	Controls	Drain	Pkg. Wt.
Soaker #4160620	Acrylic	0	-	-	-	Universal	110 (50)
Whirlpool #4160621	Acrylic	8	0.75 HP	1.5kW inline (optional)	Pneumatic	Universal	160 (73)

**DIMENSIONS** inches (mm)

Width Overall / Net	Depth Overall / Net	Height Overall / Net	Skirt Height
60 (1525)	36 (915)	21 1/2 (545) / 19 1/2 (495)	-

**SUMP DATA** inches (mm)

Capacity to Overflow gal (ltr)	Min. Operating Capacity gal (ltr)	WIDTH @ centerline		DEPTH @ centerline	
		Top	Bottom	Top	Bottom
66 (250)	47 (178)	53 1/2 (1360)	39 1/2 (1005)	26 3/4 (680)	23 1/2 (595)

**PLUMBING DIMENSIONS** inches (mm)

A	Drain to Overflow	Drain Diameter / Clearance
2 7/8 (75)	16 (405)	2 (50) / 1 3/4 (45)

**ELECTRICAL DATA**

Component	Specification	Requirement
Pump	.75 HP; 5 AMP; 120 V	15 AMP; 120V, separate circuit; Class A GFCI

**NOTES:**

1) Where applicable, utilize cut-out templates packed with unit for deck cutouts.

2) 16 x 20 (405 x 510) minimum access required at pump/blower location(s).