

65 ½ x 35 ¾ x 26 ¾ (1665 x 910 x 680) • Fax on Demand #1271

SOAKER MODEL #AI26AIR6636CFTO

AIR BATH MODEL #AI26AIR6636CF



## FEATURES

- Deep bathing well
- Slip-resistant floor
- Modern styling
- Interior bathing well and exterior can be different colors
- Pre-leveled ABS support base
- Universal drain
- Lucite cast acrylic surface
- Limited lifetime warranty

## OPTIONS

- Comfort pillow: Biscuit, Black, White
- Freestanding waste & overflow: Chrome, Oil Rubbed Bronze, Polished Brass, Brushed Nickel, White

## AQUATIC ADVANTAGE

- National distribution
- 5 manufacturing facilities
- Private fleet
- Centralized customer service
- Field support
- 24-hour fax-on-demand

## COLOR & TRIM OPTIONS

Stock	Premium
Almond	Black
Bone	Cashmere
Linen/Biscuit	Mexican Sand
Sterling Silver	Red
White	Sandbar

## AVAILABLE SYSTEMS

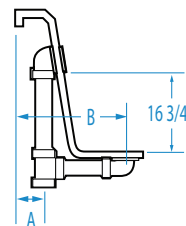
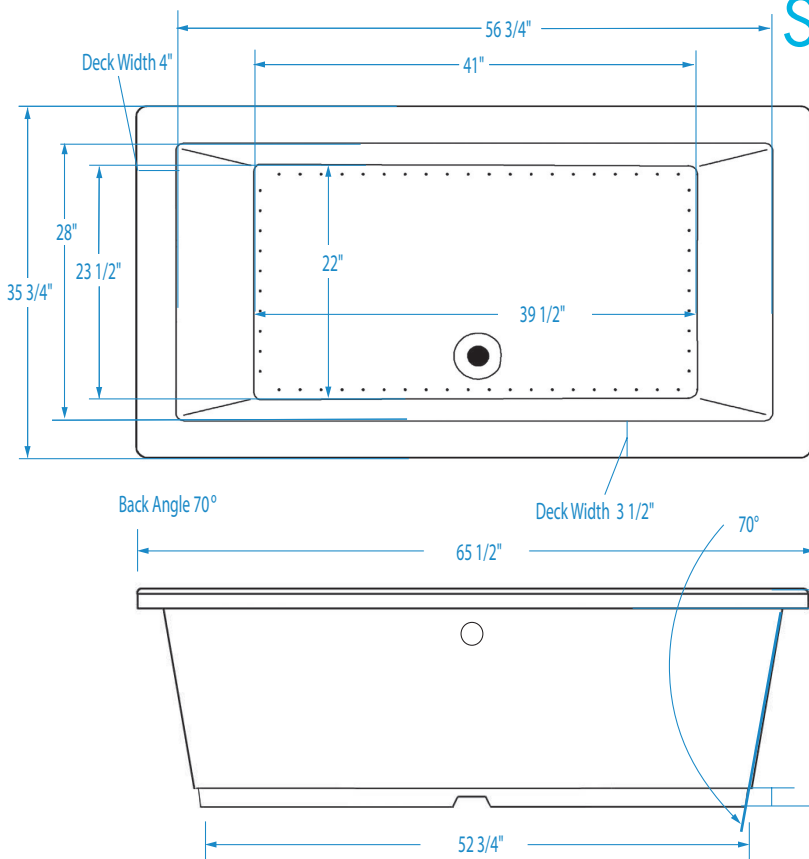
### AIR BATH

- Variable speed blower with 20-minute timer
- Air heating system
- Electronic controls with wave and pulse features
- Air channels lined with antimicrobial coating
- Automatic purge and dry cycle with water sensors



# SERENITY STUDIO 26

65 1/2 x 35 3/4 x 26 3/4 (1665 x 910 x 680)  
inches (mm)



Note: Low profile pedestal prohibits use of decorative drain pipe flange.

**FEATURES** lbs (kg) Dimensional Tolerance ± 3/8". Dimensions needed for site preparation should be measured from the unit. Aquatic assumes no responsibility for preparatory work.

Type and Model #	Material	System	Powered By	Heater	Controls	Drain	Pkg. Wt.
Soaker #AI26AIR6636CFTO	Acrylic	-	-	-	-	Universal	231 (105)
Air Bath #AI26AIR6636CF	Acrylic	Channel	Variable speed blower	Inline	Electronic	Universal	261 (119)

## DIMENSIONS inches (mm)

Width Overall / Net	Depth Overall / Net	Height Overall / Net	Skirt Height
65 1/2 (1665)	35 3/4 (910)	25 1/2 (650)	-

## SUMP DATA inches (mm)

Capacity to Overflow gal (ltr)	Min. Operating Capacity gal (ltr)	WIDTH @ centerline		DEPTH @ centerline	
		Top	Bottom	Top	Bottom
85 (322)	-	56 3/4 (1440)	41 (1040)	28 (710)	23 1/2 (595)

## PLUMBING DIMENSIONS inches (mm)

A	B
2 (50)	10 (255)

## ELECTRICAL DATA

Component	Specification	Requirement
Blower/Heater (Air Bath)	10.5 AMP; 120 V	15 AMP; 120V, separate circuit; Class A GFCI
Pump (HotSoak)	1/15 HP; 1.3 AMP; 110 V	20 AMP; 110 V, separate circuit; Class A GFCI
Heater (HotSoak)	1.5 kW; 12.5 AMP; 110 V	

### NOTES:

- Where applicable, utilize cut-out templates packed with unit for deck cutouts.
- 16 x 20 (405 x 510) minimum access required at pump/blower location(s).

Each Serenity air bath is equipped with an air heating system to raise the temperature of the air entering the bath. This air temperature will be lower than the bathing temperature of the water, but will help reduce rapid decrease in water temperature. In addition, the air coming from the air jets will feel cool against the skin. This system does not heat the water.