

6034PANL/R – EVERYDAY SHOWER PANS

inches (mm)

60 x 34 x 6 (1525 x 865 x 150) • Fax on Demand #2037



FEATURES

- Shower pan
- Slip-resistant, textured bottom
- Integral tiling flange (3T)
- Includes drain assembly and cover
- Left or right hand drain
- Gelcoat surface
- 5-year limited warranty

AQUATIC ADVANTAGE

- National distribution
- 5 manufacturing facilities
- Private fleet
- Centralized customer service
- Field support
- 24-hour fax-on-demand

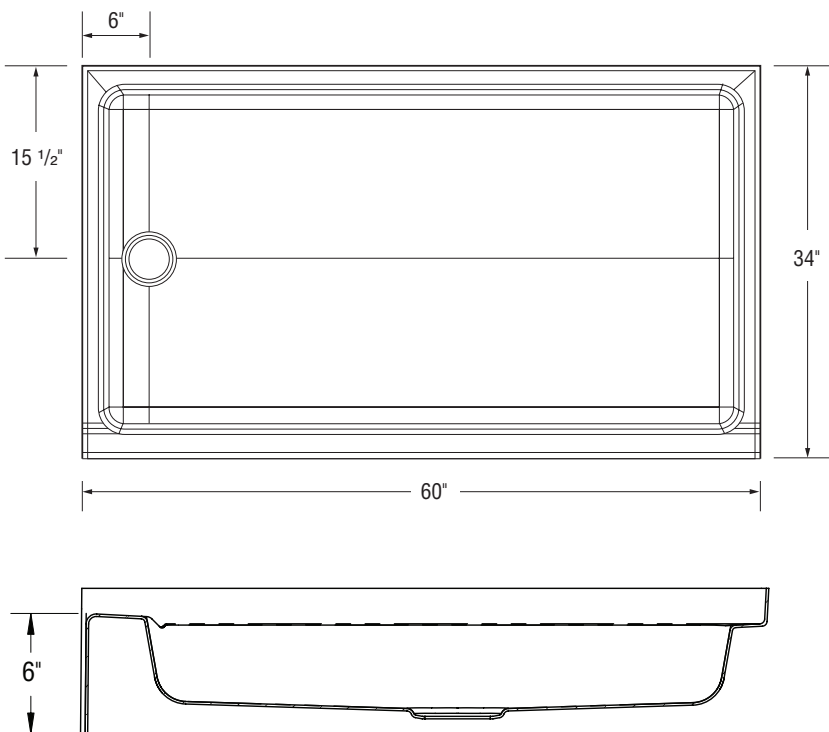
COLOR & TRIM OPTIONS

Stock	Premium
Almond	Black
Biscuit	Mexican Sand
Bone	Sand Bar
Linen	
Sterling Silver	
White	



6034PANL/R

60 x 34 x 6 (1525 x 865 x 150)
inches (mm)



FEATURES lbs (kg) Dimensional Tolerance $\pm \frac{3}{8}$ ". Dimensions needed for site preparation should be measured from the unit. Aquatic assumes no responsibility for preparatory work.

Model #	Material	Drain	Net Wt.	Pkg. Wt.
Shower Pan #6034PANL/R	Gelcoat	LH or RH	51 (23)	56 (25)

DIMENSIONS

Specifications	inches (mm)
Width: Overall / Net	60 (1525)
Depth: Overall / Net	34 (865)
Height: Overall / Net	7 1/4 (185) / 6 (150)
Enclosure Opening	-
Skirt Height	6 (150)
Drain Rough-In (from Back Wall)	15 1/2 (395)
Drain Rough-In (from Side Wall)	6 (150)
Drain: Diameter / Clearance	3 1/4 (85) / 1 3/4 (45)

FRAMING DIMENSIONS inches (mm)

Type	D Depth	W Width	H Height	A	B	C
Alcove	34 (865)	60 (1524)	-	Box Out	6 (150)	15 1/2 (395)

