

DEL RAY – ESTATE SERIES

inches (mm)

72 x 47 ¾ x 24 ⅛ (1830 x 1215 x 615) • Fax on Demand #1285

MODEL #AI7248R



FEATURES

- 8 hydrotherapy jets: pressure-flo (4), StressEaz neck and shoulder therapy (2), recessed rotary (2)
- 1.75hp pump
- Electronic on/off control
- Deep bathing well
- Slip-resistant floor
- Pre-leveled ABS support base
- Quiet pad anti-vibration pump mount
- Universal drain
- Lucite cast acrylic surface
- Limited lifetime warranty

OPTIONS

- Chromotherapy LED lighting
- 1.5kW inline maintenance heater
- Comfort pillow: Biscuit, Black, White
- Bolt-on grab bar(s): Chrome, Oil-Rubbed Bronze, Polished Brass, Brushed Nickel, Color Matched (Biscuit, White)
- Cable drive waste & overflow: Chrome, Oil Rubbed Bronze, Polished Brass, Brushed Nickel, Color Matched (Biscuit, Bone, White)
- Factory installed rigid ABS tile flange
- Optional pump location
- Acrylic skirt: Color Matched

AQUATIC ADVANTAGE

- National distribution
- 5 manufacturing facilities
- Private fleet
- Centralized customer service
- Field support
- 24-hour fax-on-demand

COLOR & TRIM OPTIONS

| Stock | Premium |
|------------------------|------------------|
| Almond (C, M) | Black (C, M) |
| Bone (C, M) | Cashmere (M) |
| Linen/Biscuit (C, M) | Mexican Sand (M) |
| Sterling Silver (C, M) | Red (M) |
| White (C, M) | Sandbar (M) |

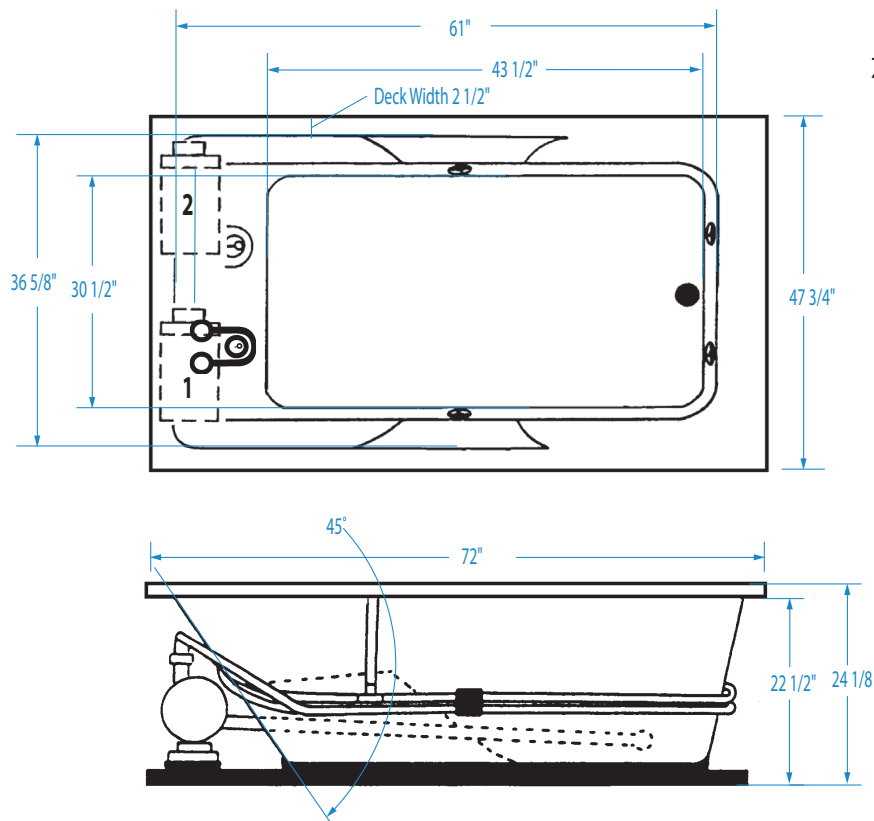
C = Color Matched Trim

M = Metallic Trim (Brushed Nickel, Chrome, Polished Brass)



DEL RAY

72 x 47 3/4 x 24 1/8 (1830 x 1215 x 615)
inches (mm)



FEATURES lbs (kg) Dimensional Tolerance ± 3/8". Dimensions needed for site preparation should be measured from the unit. Aquatic assumes no responsibility for preparatory work.

| Type and Model # | Material | Jets | Pump | Heater | Controls | Drain | Pkg. Wt. |
|--------------------|----------|------|---------|--------------------------|-------------------|-----------|-----------|
| Whirlpool #A17248R | Acrylic | 8 | 1.75 HP | 1.5 kw Inline (optional) | Electronic on/off | Universal | 254 (115) |

DIMENSIONS inches (mm)

| Width Overall / Net | Depth Overall / Net | Height Overall / Net | Skirt Height |
|------------------------|------------------------|-------------------------|-----------------|
| 72 (1830) | 47 3/4 (1215) | 24 1/8 (615) | - |

SUMP DATA inches (mm)

| Capacity to Overflow gal (ltr) | Min. Operating Capacity gal (ltr) | WIDTH @ centerline | | DEPTH @ centerline | |
|--------------------------------------|---|--------------------|---------------|--------------------|--------------|
| | | Top | Bottom | Top | Bottom |
| 131 (3325) | 111 (420) | 61 (1550) | 43 1/2 (1105) | 36 5/8 (930) | 30 1/2 (775) |

PLUMBING DIMENSIONS inches (mm)

| A | B |
|--------|--------------|
| 3 (75) | 10 7/8 (275) |

ELECTRICAL DATA

| Component | Specification | Requirement |
|-----------------|-------------------------|--|
| Pump | 1.75 HP; 12 AMP; 110 V | 15 AMP; 110V, separate circuit; Class A GFCI |
| Optional Heater | 1.5 kW; 12.5 AMP; 110 V | 15 AMP; 110V, separate circuit; Class A GFCI |

NOTES:

1) Where applicable, utilize cut-out templates packed with unit for deck cutouts.

2) 16 x 20 (405 x 510) minimum access required at pump/blower location(s).