

# LUXEAIR 32 – LUXEAIR SERIES

inches (mm)

59 ¾ x 34 ½ x 25 ¾ (1515 x 875 x 655) • Fax on Demand #1316

LEFT DRAIN MODEL #AI32LUX6032ISL

RIGHT DRAIN MODEL AI32LUX6032ISR



## AQUATIC ADVANTAGE

- National distribution
- 5 manufacturing facilities
- Private fleet
- Centralized customer service
- Field support
- 24-hour fax-on-demand

## COLOR & TRIM OPTIONS

Stock	Premium
Almond (C, M)	Black (C, M)
Bone (C, M)	Cashmere (M)
Biscuit (C, M)	Mexican Sand (M)
Sterling Silver (C, M)	Red (M)
White (C, M)	Sandbar (M)

C = Color Matched Trim

M = Metallic Trim (Brushed Nickel, Chrome, Polished Brass)

## FEATURES

- 7 hydrotherapy jets: pressure-flo (4), StressEaz neck and shoulder therapy (2), recessed rotary (1)
- 1.75hp pump
- Electronic controls
- Inline maintenance heater
- Air bath system:
  - Variable speed blower
  - Air heating system
  - Automatic purge and dry cycle with water sensors
- Deep bathing well
- Bolt-on grab bars (2): color matched (Biscuit or White), Chrome
- Sculpted armrests
- Integral skirt with removable front access panels
- Integral tile flange
- Slip-resistant floor
- Quiet pad anti-vibration pump mount
- Left or right drain
- Lucite cast acrylic surface
- Limited lifetime warranty

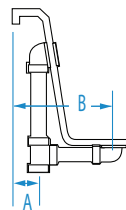
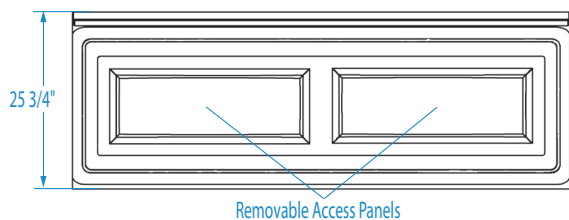
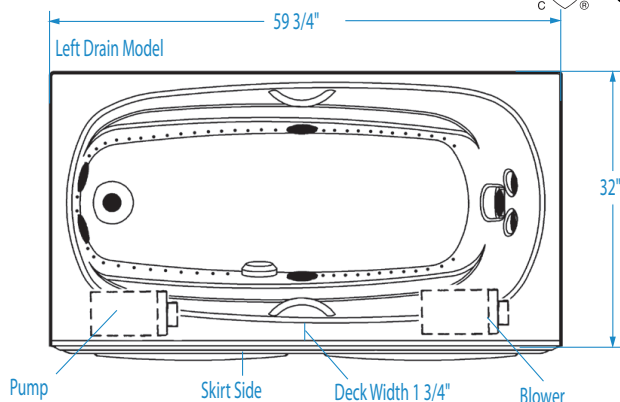
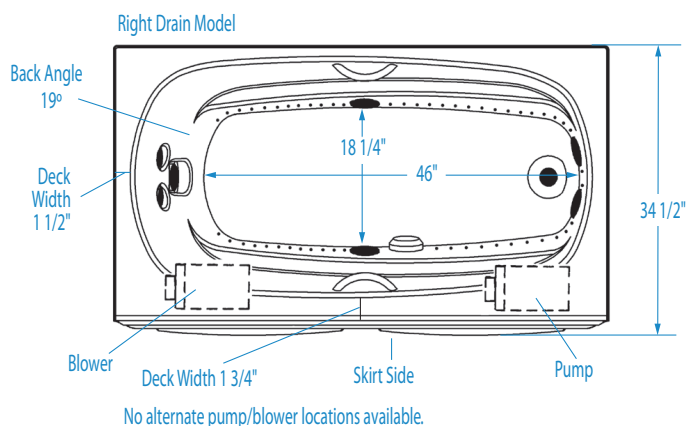
## OPTIONS

- Chromatherapy LED lighting
- Comfort pillow: Biscuit, Black, White
- Cable drive waste & overflow: Chrome, Oil Rubbed Bronze, Polished Brass, Brushed Nickel, Color Matched (Biscuit, Bone, White)



# LUXEAIR 32

59 3/4 x 34 1/2 x 25 3/4 (1515 x 875 x 655)  
inches (mm)



**FEATURES** lbs (kg) Dimensional Tolerance ± 3/8". Dimensions needed for site preparation should be measured from the unit. Aquatic assumes no responsibility for preparatory work.

Type and Model #	Material	Jets	Pump	Air System	Blower	Heater	Controls	Drain	Pkg. Wt.
Air Whirlpool #A132LUX60321SL/R	Acrylic	7	1.75 HP	Channel	Variable speed	1.5 kw Inline	Electronic	LH or RH	292 (130)

**DIMENSIONS** inches (mm)

Width Overall / Net	Depth Overall / Net	Height Overall / Net	Skirt Height
59 3/4 (1515)	34 1/2 (875)	25 3/4 (655)	24 3/4 (630)

**SUMP DATA** inches (mm)

Capacity to Overflow gal (ltr)	Min. Operating Capacity gal (ltr)	WIDTH @ centerline		DEPTH @ centerline	
		Top	Bottom	Top	Bottom
69 (260)	50 (189)	54 3/4 (1390)	46 (1170)	26 3/4 (680)	18 1/4 (465)

**PLUMBING DIMENSIONS** inches (mm)

A	B	Drain Diameter / Clearance
1 5/8 (40)	9 1/4 (235)	

**ELECTRICAL DATA**

Component	Specification	Requirement
Pump	1.75 HP; 12 AMP; 110 V	15 AMP 2 pole, separate circuit, Class A GFCI
Inline Heater	1.5 kW; 12.5 AMP; 110 V	
Blower	1 HP; 10.5 AMP; 110 V	15 AMP 1 pole, separate circuit, Class A GFCI

**NOTES:**

1) Where applicable, utilize cut-out templates packed with unit for deck cutouts.

2) 16 x 20 (405 x 510) minimum access required at pump/blower location(s).

**NOTE:**

1) This whirlpool must be hard wired to the breaker box. Three outlets will be supplied on the whirlpool.