

SERENITY 2 – SERENITY SERIES

inches (mm)

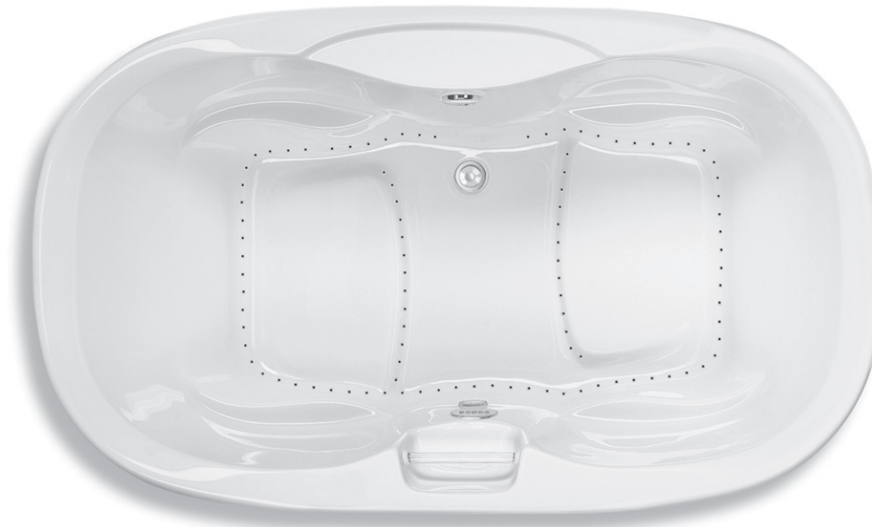
70 1/8 x 41 5/8 x 25 (1795 x 1055 x 635) • Fax on Demand #1217

SOAKER MODEL #AI2AIR7042TO

AIR BATH MODEL #AI2AIR7042

HOTSOAK MODEL #AI2AIR7042HS

DRIFTBATH MODEL #AI2AIR7042DB



FEATURES (ALL MODELS)

- Deep bathing well
- Slip-resistant floor
- Acrylic grab bar
- Raised seats
- Sculpted armrests
- Pre-leveled ABS support base
- Center Front drain
- Lucite cast acrylic surface
- Limited lifetime warranty

OPTIONS

- Comfort pillow: Biscuit, Black, White
- Grab bar(s): Chrome, Oil Rubbed Bronze, Polished Brass, Brushed Nickel, Color matched (Biscuit, White, Clear)
- Cable drive waste & overflow: Chrome, Oil Rubbed Bronze, Polished Brass, Brushed Nickel, Color Matched (Biscuit, Bone, White)
- Optional blower/pump location
- Remote control kit
- Remote blower wiring kit

COLOR & TRIM OPTIONS

Stock	Premium
Almond	Black
Bone	Cashmere
Linen/Biscuit	Mexican Sand
Sterling Silver	Red
White	Sandbar

DriftBath available in White and Biscuit only.

AQUATIC ADVANTAGE

- National distribution
- 5 manufacturing facilities
- Private fleet
- Centralized customer service
- Field support
- 24-hour fax-on-demand

AVAILABLE SYSTEMS

AIR BATH

- Variable speed blower with 20-minute timer
- Air heating system
- Electronic controls with wave and pulse features
- Air channels lined with antimicrobial coating
- Automatic purge and dry cycle with water sensors
- LED chromatherapy lights (4)

HOTSOAK

- 1.5kW inline maintenance heater
- Quiet, run-dry safe pump
- Low-profile circulation portals
- One-touch electronic on/off control
- Quiet pad anti-vibration pump mount

DRIFTBATH

- Quiet, self-heating integrated pump/motor unit
- Dozens of low-profile, water-only portals
- Electronic control with 20-minute timer
- High-intensity LED chromatherapy lights (4)
- Advanced Safety Suction System



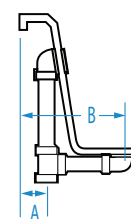
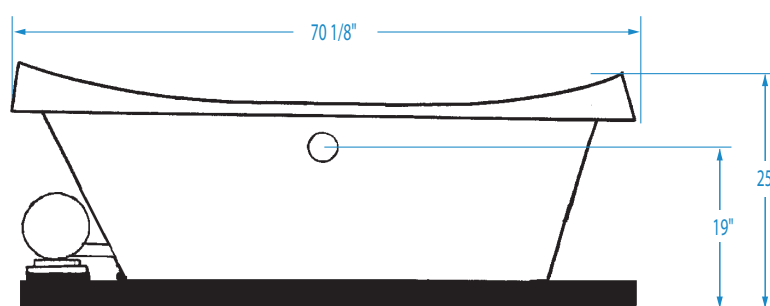
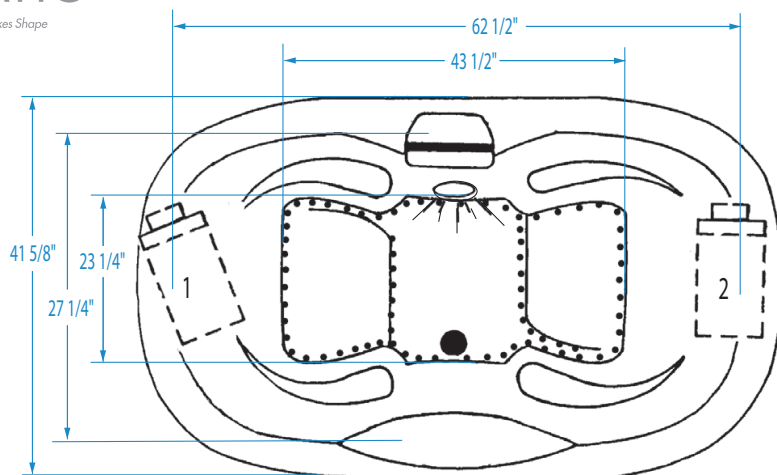
AQUATIC
Where Inspiration Takes Shape

SERENITY 2

70 1/8 x 41 5/8 x 25 (1795 x 1055 x 635)
inches (mm)



Note: Serenity tub only models feature a Pre-leveled ABS Support Base.



FEATURES lbs (kg) Dimensional Tolerance $\pm 3/8$ ". Dimensions needed for site preparation should be measured from the unit. Aquatic assumes no responsibility for preparatory work.

Type and Model #	Material	System	Powered By	Heater	Controls	Drain	Pkg. Wt.
Soaker #AI2AIR7042TO	Acrylic	-	-	-	-	Center Front	184 (83)
HotSoak #AI2AIR7042HS	Acrylic	Water circulation	Pump	1.5 kW Inline maintenance	Electronic on/off	Center Front	214 (97)
Air Bath #AI2AIR7042	Acrylic	Air Bath	Variable speed blower	Integrated	Electronic variable	Center Front	214 (97)
DriftBath #AI2AIR7042DB	Acrylic	Water circulation	Pump	Integrated	Electronic on/off	Center Front	225 (102)

DIMENSIONS inches (mm)

Width Overall / Net	Depth Overall / Net	Height Overall / Net	Skirt Height
70 1/8 (1795)	41 5/8 (1055)	25 (635)	-

SUMP DATA inches (mm)

Capacity to Overflow gal (ltr)	Min. Operating Capacity gal (ltr)	WIDTH @ centerline		DEPTH @ centerline	
		Top	Bottom	Top	Bottom
95 (360)	-	62 (1575)	43 1/2 (1105)	27 1/4 (690)	23 1/4 (590)

PLUMBING DIMENSIONS inches (mm)

A	B
5 3/4 (145)	13 1/4 (340)

ELECTRICAL DATA

Component	Specification	Requirement
Blower/Heater (Air Bath)	10.5 AMP; 120 V	15 AMP; 120V, separate circuit; Class A GFCI
Pump (HotSoak)	1/15 HP; 1.3 AMP; 110 V	20 AMP; 110 V, separate circuit; Class A GFCI
Heater (HotSoak)	1.5 kW; 12.5 AMP; 110 V	
Pump (DriftBath)	3/4 HP; 8.8 AMP; 110 V	15 AMP; 120V, separate circuit; Class A GFCI

NOTES:

1) Where applicable, utilize cut-out templates packed with unit for deck cutouts.

2) 16 x 20 (405 x 510) minimum access required at pump/blower location(s).

Each Serenity air bath is equipped with an air heating system to raise the temperature of the air entering the bath. This air temperature will be lower than the bathing temperature of the water, but will help reduce rapid decrease in water temperature. In addition, the air coming from the air jets will feel cool against the skin. This system does not heat the water.