

1543SGM – EVERYDAY SHOWERS

inches (mm)

54 x 35 x 75 (1370 x 890 x 1905) • Fax on Demand #1038



FEATURES

- Shower stall
- Smooth wall finish
- Molded seats (2)
- Installed acrylic grab bar
- Molded toiletry shelves
- Slip-resistant textured bottom
- Center drain
- Gelcoat surface
- 5-year limited warranty
- Above-floor rough

OPTIONS

- Grab bar reinforcement
- Factory installed assisted care grab bars
- Brass shower drain
- Shower door series L0517

AQUATIC ADVANTAGE

- National distribution
- 5 manufacturing facilities
- Private fleet
- Centralized customer service
- Field support
- 24-hour fax-on-demand

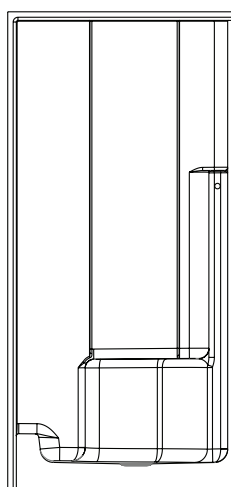
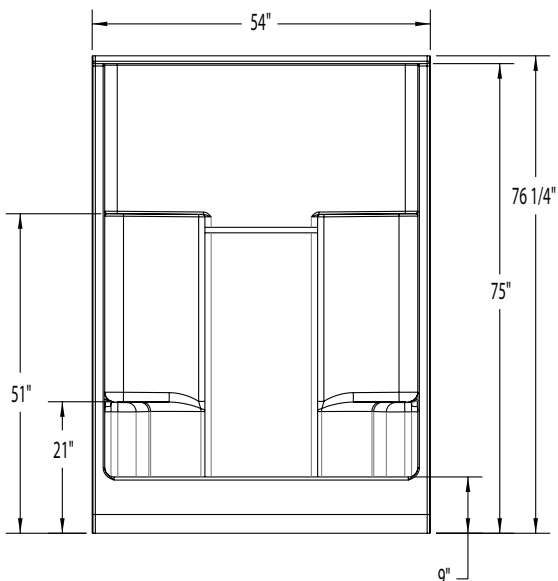
COLOR & TRIM OPTIONS

Stock	Premium
Almond	Black
Biscuit	Mexican Sand
Bone	Sand Bar
Linen	
Sterling Silver	
White	

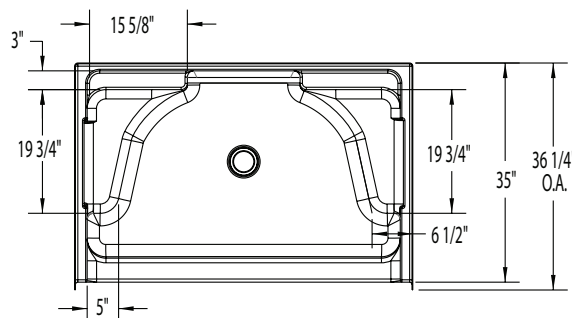


1543SGM

54 x 35 x 75 (1370 x 890 x 1905)
inches (mm)



AFR: Allows for above the floor installation of waste, overflow and drainage.



FEATURES lbs (kg) Dimensional Tolerance $\pm \frac{3}{16}$ ". Dimensions needed for site preparation should be measured from the unit. Aquatic assumes no responsibility for preparatory work.

Model #	Material	Wall Finish	Pieces	Drain	Seat	Net Wt.	Pkg. Wt.
Shower #1543SG	Gelcoat	Smooth	1	Center	2 seats	114 (52)	119 (54)

DIMENSIONS

Specifications	inches (mm)
Width: Overall / Net	54 (1370)
Depth: Overall / Net	36 1/4 (920) / 35 (890)
Height: Overall / Net	76 1/4 (1935) / 75 (1905)
Enclosure Opening	49 3/4 (1265)
Skirt Height	6 (150)
Drain Rough-In (from Back Wall)	15 3/4 (400)
Drain Rough-In (from Side Wall)	27 (685)
Drain: Diameter / Clearance	3 1/4 (85) / 3/4 (20)

FRAMING DIMENSIONS inches (mm)

Type	D Depth	W Width	H Height	A	B	C
Alcove	36 1/4 (920)	54 1/8 (1375)	-	Box Out	27 (685)	15 3/4 (400)

