

# 160344P2C – REMODELINE SECTIONALS

inches (mm)

60 x 34 x 76 (1525 x 865 x 1930) • Fax on Demand # 1169



## FEATURES

- 4-piece shower
- Smooth wall
- Integral seats
- Molded toiletry shelves
- Installed acrylic grab bar
- Center drain
- Gelcoat surface
- 5-year limited warranty

## OPTIONS

- Grab bar reinforcement
- Factory installed assisted care grab bars
- Brass shower drain
- Shower Door Series L0517, LS531

## AQUATIC ADVANTAGE

- National distribution
- 5 manufacturing facilities
- Private fleet
- Centralized customer service
- Field support
- 24-hour fax-on-demand

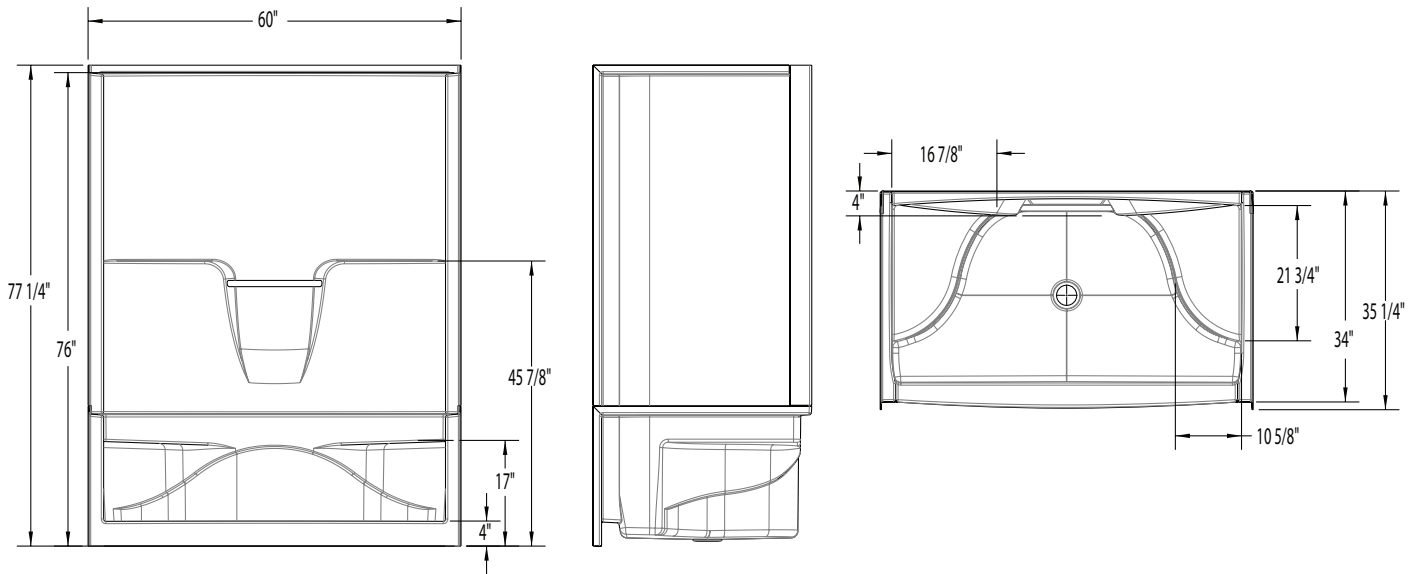
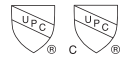
## COLOR & TRIM OPTIONS

| Stock           | Premium      |
|-----------------|--------------|
| Almond          | Black        |
| Biscuit         | Mexican Sand |
| Bone            | Sand Bar     |
| Linen           |              |
| Sterling Silver |              |
| White           |              |



# 160344P2C

60 x 34 x 76 (1525 x 865 x 1930)  
inches (mm)



**FEATURES** lbs (kg) Dimensional Tolerance  $\pm 3/8$ ". Dimensions needed for site preparation should be measured from the unit. Aquatic assumes no responsibility for preparatory work.

| Model #           | Material | Wall Finish | Pieces | Drain  | Seat    | Net Wt.  | Pkg. Wt. |
|-------------------|----------|-------------|--------|--------|---------|----------|----------|
| Shower #160344P2C | Gelcoat  | Smooth      | 4      | Center | 2 seats | 184 (83) | 189 (86) |

## DIMENSIONS

| Specifications                  | inches (mm)               |
|---------------------------------|---------------------------|
| Width: Overall / Net            | 60 (1525)                 |
| Depth: Overall / Net            | 35 1/4 (895) / 34 (865)   |
| Height: Overall / Net           | 77 1/4 (1960) / 76 (1930) |
| Enclosure Opening               | 55 (1400)                 |
| Skirt Height                    | 4 (100)                   |
| Drain Rough-In (from Back Wall) | 16 3/4 (425)              |
| Drain Rough-In (from Side Wall) | 30 (760)                  |
| Drain: Diameter / Clearance     | 3 1/4 (85) / 3/4 (20)     |

## FRAMING DIMENSIONS inches (mm)

| Type   | D<br>Depth   | W<br>Width    | H<br>Height | A       | B        | C            |
|--------|--------------|---------------|-------------|---------|----------|--------------|
| Alcove | 35 1/4 (895) | 60 1/8 (1525) | -           | Box Out | 30 (760) | 16 3/4 (425) |

