

SYMPHONY FLAT PANEL SKIRT INSTALLATION INSTRUCTIONS

PLEASE READ INSTRUCTIONS BEFORE PROCEEDING WITH INSTALLATION

NOTE: The skirt panel may require re-sizing to fit the specific installation. Carefully take your measurements so that the skirt will fit the skirt opening. If re-sizing is required, it is suggested that the skirt is measured and marked to the required dimensions. The skirt could be damaged if improper procedures and/or tools are used. Make sure the correct tools are used as noted below. Cut to within $\frac{1}{8}$ " of finished dimensions using a fine-tooth saw. Use a belt sander to remove the remaining material to the finished size. It is important to follow all the steps in this installation procedure. If additional guidance is required, you may contact the Aquatic Technical Department at (800) 928-3707.

PARTS INCLUDED FOR INSTALLATION:

- 4 - Spring clips
- 8 - #6, $\frac{1}{2}$ " self tap screws for spring clips
- 3 - #8, $1\frac{3}{4}$ " stainless steel screws
(use 2 for 5' skirts, 3 for 6' skirts)
- 3 - Chrome decorative caps
- 3 - Brass decorative caps
- 3 - Decorative cap holders
- 9 - Decorative caps in assorted colors with attached cap holders
- 1 - Instruction sheet

TOOLS REQUIRED FOR INSTALLATION: (NOT INCLUDED)

- Phillips Head Screwdriver
- Belt Sander
- Fine-Tooth Saw
- Wood Blocks
- Pencil
- Safety Glasses
- Square/Level
- Gloves

If any of the above parts are missing from your package, contact Aquatic Technical Department at (800) 928-3707.

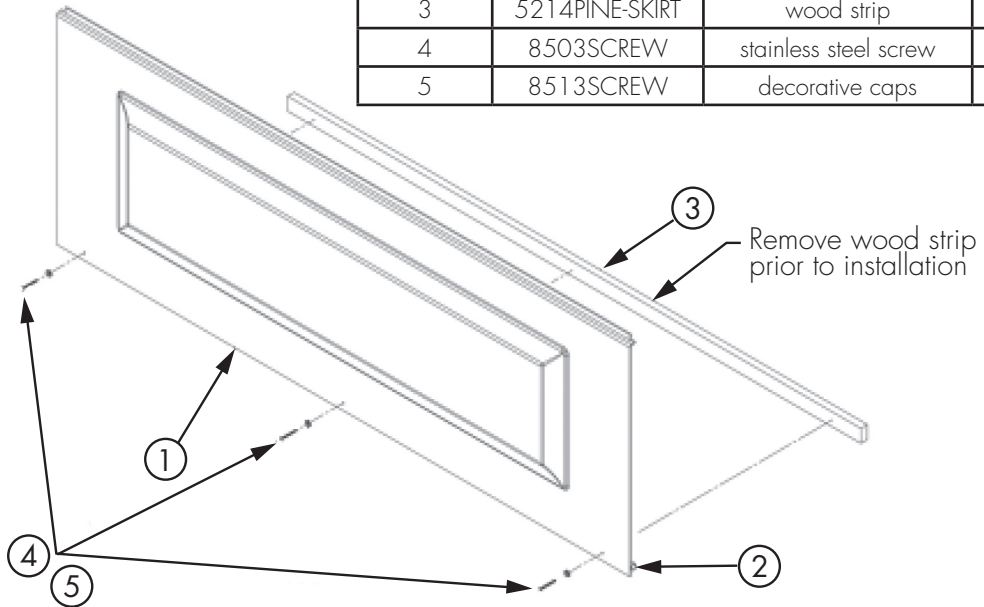
FLAT PANEL SKIRT INSTALLATION INSTRUCTIONS

1. Remove the wood strip (on some models) from the structural support. **DO NOT REMOVE** the structural support. (see **DETAIL VIEW A**).
2. Locate the raised lip support channel beneath the lip of the bath tub as shown in **FIGURE 1**. **NOTE:** Some models do not have the lip support channel running the full length of the tub. These tubs will need to have blocks of wood glued (construction cement) to the underside of the tub so that the spring clips can be attached.
3. Place the spring clips at even intervals along the support channel, use all four clips. Position the front of the clip to line up with outside of the bath lip, (see **FIGURE 4**) making sure they line up properly. Mark the hole openings for the screws with a pencil. Place a #6, $\frac{1}{2}$ " screw at the marked position and secure the clips to the channel. Use 2 #6, $\frac{1}{2}$ " screws for each clip as shown in **FIGURE 1**. Make sure the screws go into the support channel or into the wood blocks.
4. Slide upper side of skirt (see **FIGURE 4**) under the lip of the tub. Align the offset edge of the skirt so it is parallel with the bottom of the bath lip (see **FINAL ASSEMBLY B**). The panel should slip into place between the lip rim and the four spring clips (see **FIGURE 4**). While holding skirt at the bottom, move it inward toward the tub (see **FIGURE 2**). The vertical edge of the skirt should be aligned perpendicular to the floor (see **FINAL ASSEMBLY B**).

Tubs with metal frame base: see **FIGURE 2** and **FINAL ASSEMBLY A**. To secure the bottom of the skirt, wood blocks (2 for 5' skirts or 3 for 6' skirts) will need to be anchored to the floor. Use a level (that is held against the outside face of the tub lip and touching the floor) at each pre-drilled hole location to mark where the face of the skirt panel will be aligned. Subtract the thickness of the skirt and the structural support to position the wood blocks. Anchor the blocks to the floor, then screw the $1\frac{3}{4}$ " #8 screws, through the decorative caps and the pre-drilled holes, into the wood blocks.

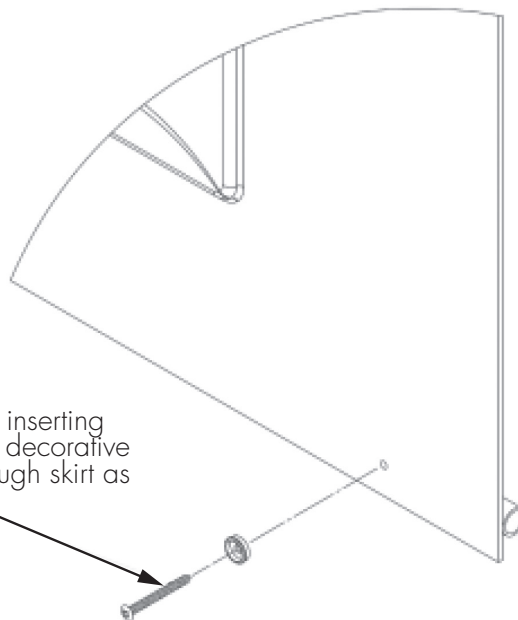
DETAIL VIEW A

Item No.	Part Number	Description	Quantity
1	SKFRT5SE or SKFRT6SE	5 or 6 foot skirt	1
2	8050PIPE-SKIRT	½" structural support	1
3	5214PINE-SKIRT	wood strip	1
4	8503SCREW	stainless steel screw	3
5	8513SCREW	decorative caps	3

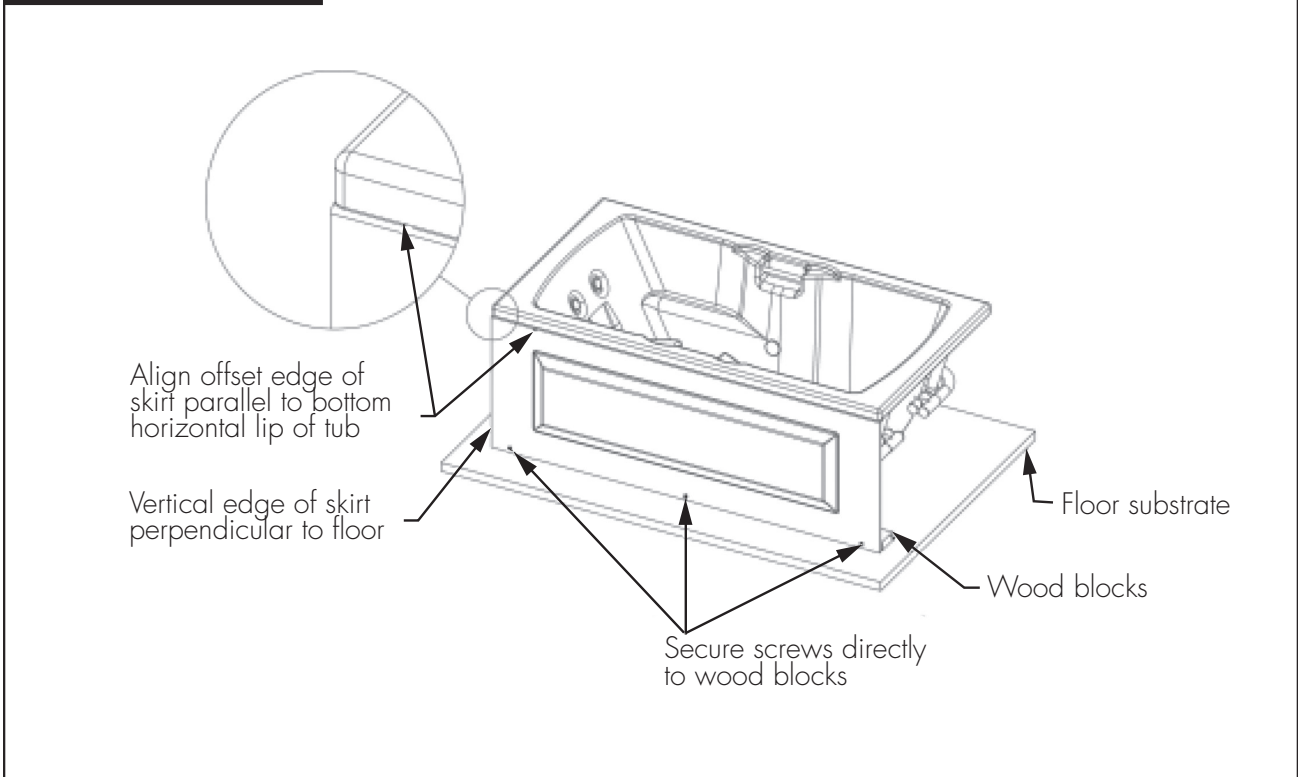


DETAIL VIEW B

Attach skirt by inserting screw through decorative cap, then through skirt as shown



FINAL ASSEMBLY A TUB WITH METAL FRAME BASE



FINAL ASSEMBLY B TUB WITH ABS BASE

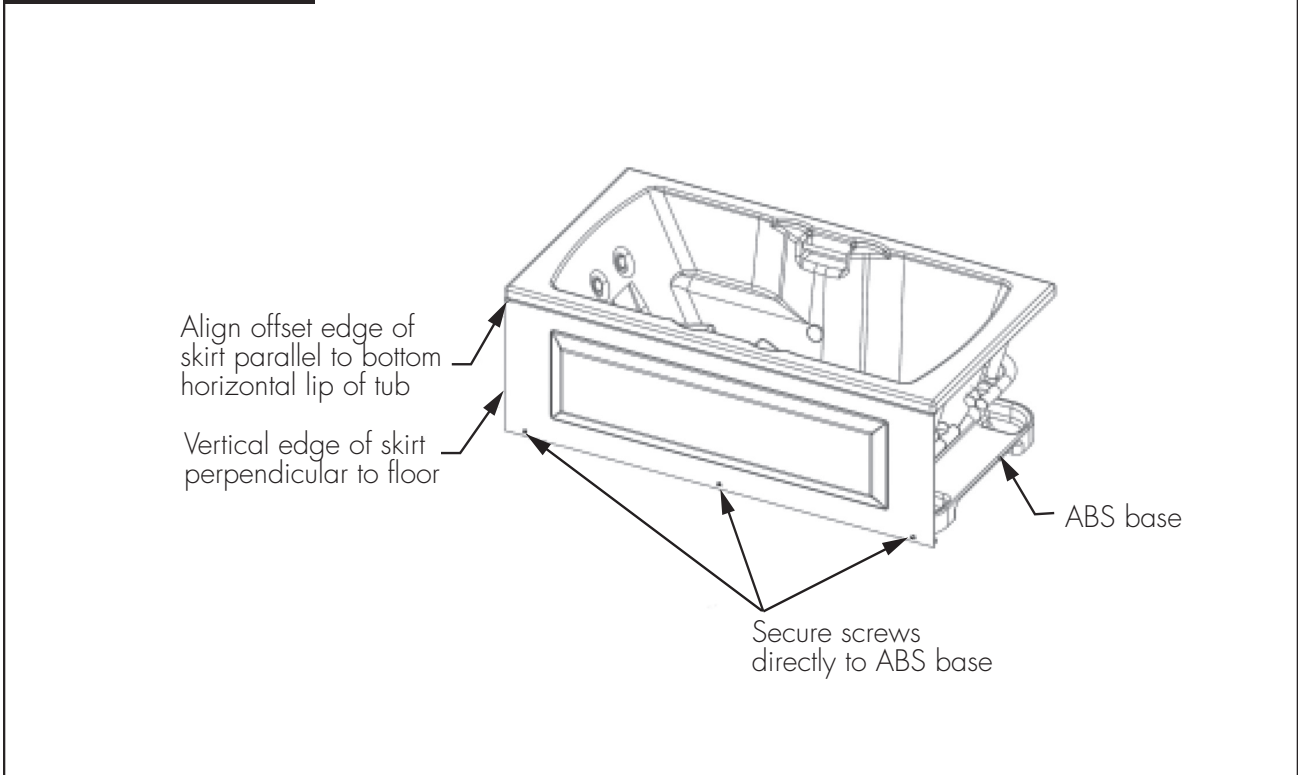
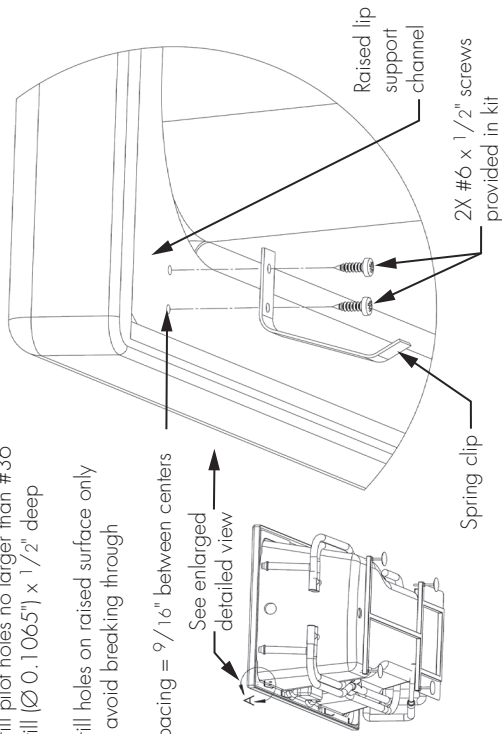


FIGURE 1

Drill pilot holes no larger than #36 drill ($\varnothing 0.1065$ " x $1/2$ " deep)
Drill holes on raised surface only to avoid breaking through

Spacing = $9/16$ " between centers

See enlarged detailed view



Raised lip support channel
2X #6 x $1/2$ " screws provided in kit
Spring clip

FIGURE 2

See Figure 4 enlarged view of this area

Skirt
Rotate skirt in this direction

2" x 4" std. framing material (pine) cut to 6" length (wood block)
Floor substrate

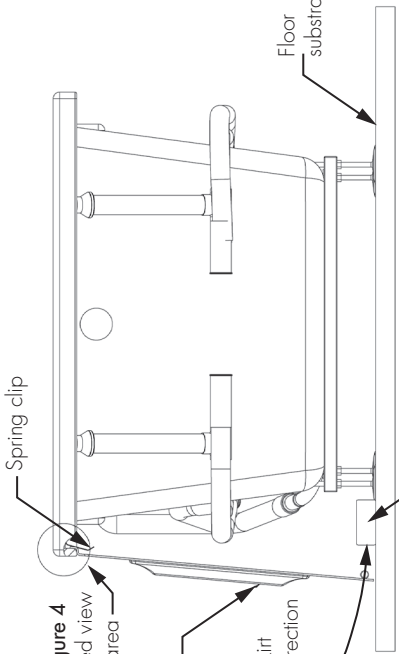


FIGURE 3

Insert shim between skirt support structure and base if necessary
ABS base

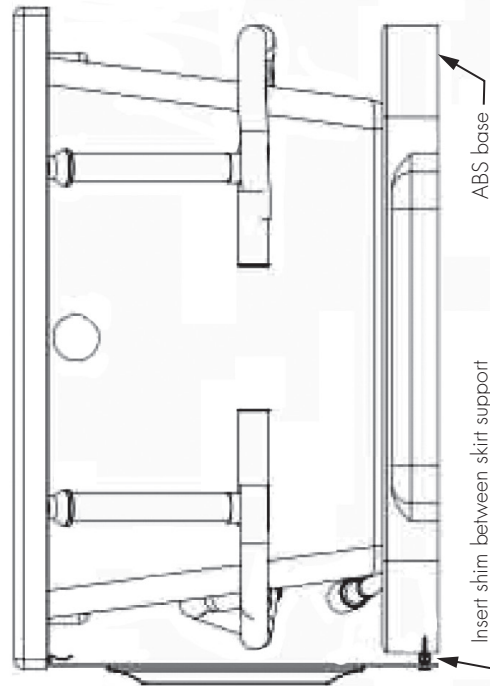
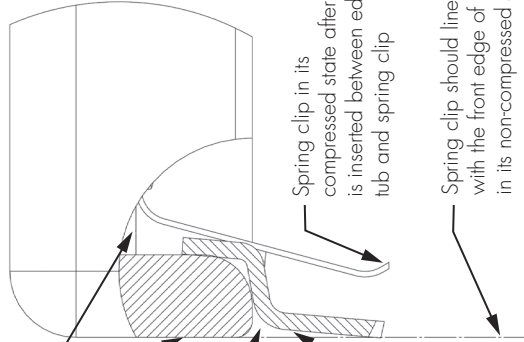


FIGURE 4

Raised lip support channel
Edge of tub
Slip top of skirt between inside edge of tub and spring clip
This will hold the top skirt edge in place while you fasten the bottom of the skirt to the ABS base or 2" x 4" wood blocks
Offset edge of skirt

Spring clip in its compressed state after skirt is inserted between edge of tub and spring clip
Spring clip should line up with the front edge of tub in its non-compressed state



Customer Service | Technical Services | Warranty Services

1521 No. Cooper, Ste. 500
Arlington, TX 76011
PH: 800-945-2726, 817-801-8300
FAX: 866-544-5353

LITID2903