

60 x 36 x 19 (1525 x 915 x 485) • Fax on Demand #5123

SOAKER MODEL #7660620

WHIRLPOOL MODEL #7660621



## FEATURES

- 8 hydrotherapy jets
- .75 hp pump
- Advanced safety suction system
- Bath-side on/off button
- Integral skirt
- Integral tile flange
- Sculpted armrests
- Slip-resistant floor
- LH or RH drain
- Lucite cast acrylic surface
- Limited 10-year warranty

## OPTIONS

- Comfort pillow:  
Biscuit, Black, White
- 1.5kW inline maintenance heater
- Cable drive waste & overflow:  
Chrome, Oil Rubbed Bronze,  
Polished Brass, Brushed Nickel,  
Color Matched (Biscuit,  
Bone, White)
- Lift & turn waste & overflow:  
Chrome, Oil Rubbed Bronze,  
Polished Brass, Brushed Nickel
- Optional pump location

## AQUATIC ADVANTAGE

- National distribution
- 5 manufacturing facilities
- Private fleet
- Centralized customer service
- Field support
- 24-hour fax-on-demand

## COLOR & TRIM OPTIONS

Stock

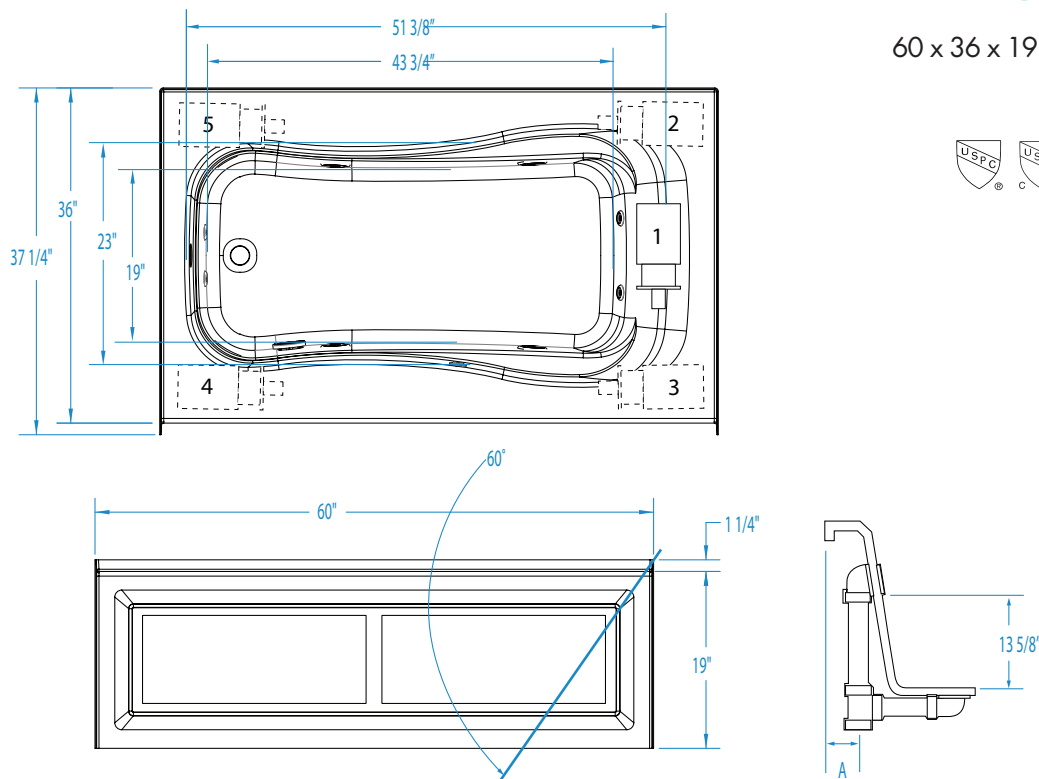
Almond (C)  
Bone (C)  
Linen/Biscuit (C)  
Sterling Silver (C)  
White (C)

C = Color Matched Trim



# NOVELLI

60 x 36 x 19 (1525 x 915 x 485)  
inches (mm)



**FEATURES** lbs (kg) Dimensional Tolerance ± 3/8". Dimensions needed for site preparation should be measured from the unit. Aquatic assumes no responsibility for preparatory work.

Type and Model #	Material	Jets	Pump	Heater	Controls	Drain	Pkg. Wt.
Soaker #7660620	Acrylic	0	–	–	–	LH or RH	115 (52)
Whirlpool #7660621	Acrylic	8	0.75 HP	1.5kW inline (optional)	Pneumatic	LH or RH	165 (75)

## DIMENSIONS inches (mm)

Width Overall / Net	Depth Overall / Net	Height Overall / Net	Skirt Height
60 (1525)	37 1/4 (945) / 36 (915)	20 1/4 (515) / 19 (485)	19 (485)

## SUMP DATA inches (mm)

Capacity to Overflow gal (ltr)	Min. Operating Capacity gal (ltr)	WIDTH @ centerline		DEPTH @ centerline	
		Top	Bottom	Top	Bottom
52 (197)	32 (121)	51 3/8 (1305)	43 3/4 (1110)	23 (585)	19 (485)

## PLUMBING DIMENSIONS inches (mm)

A	Drain to Overflow	Drain Diameter / Clearance
2 1/4 (55)	13 5/8 (345)	2 (50) / 1 1/4 (30)

## ELECTRICAL DATA

Component	Specification	Requirement
Pump	.75 HP; 5 AMP; 120 V	15 AMP; 120V, separate circuit; Class A GFCI

### NOTES:

1) Where applicable, utilize cut-out templates packed with unit for deck cutouts.

2) 16 x 20 (405 x 510) minimum access required at pump/blower location(s).