

1603CTGNM – EVERYDAY SHOWERS

inches (mm)

60 x 35 x 75 (1525 x 890 x 1905) • Fax on Demand #1044



FEATURES

- Shower stall
- Textured tile finish
- Molded seats (2)
- Installed acrylic grab bar
- Molded toiletry shelves
- Slip-resistant textured bottom
- Above-floor rough
- Center drain
- Gelcoat surface
- 5-year limited warranty

OPTIONS

- Grab bar reinforcement
- Factory installed assisted care grab bars
- Brass shower drain
- Shower door series L0517

AQUATIC ADVANTAGE

- National distribution
- 5 manufacturing facilities
- Private fleet
- Centralized customer service
- Field support
- 24-hour fax-on-demand

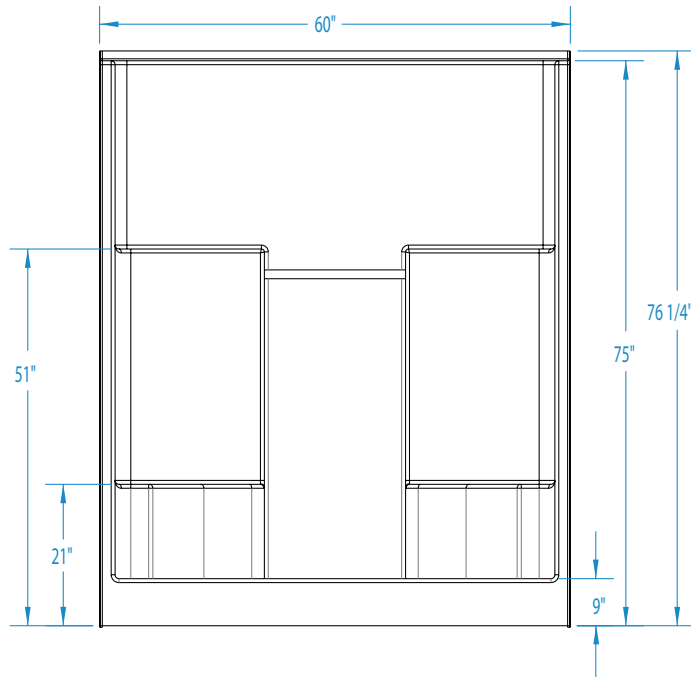
COLOR & TRIM OPTIONS

Stock	Premium
Almond	Black
Biscuit	Mexican Sand
Bone	Sand Bar
Linen	
Sterling Silver	
White	

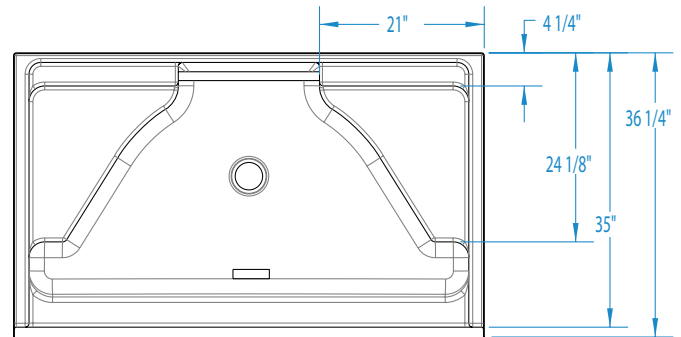


1603CTGNM

60 x 35 x 75 (1525 x 890 x 1905)
inches (mm)



AFR: Allows for above the floor installation of waste, overflow and drainage.



FEATURES lbs (kg) Dimensional Tolerance $\pm \frac{3}{8}$ ". Dimensions needed for site preparation should be measured from the unit. Aquatic assumes no responsibility for preparatory work.

Model #	Material	Wall Finish	Pieces	Drain	Seat	Net Wt.	Pkg. Wt.
Shower #1603CTGNM	Gelcoat	Textured Tile	1	Center	2 seats	132 (60)	137 (62)

DIMENSIONS

Specifications	inches (mm)
Width: Overall / Net	60 (1525)
Depth: Overall / Net	36 1/4 (920) / 35 (890)
Height: Overall / Net	76 1/4 (1935) / 75 (1905)
Enclosure Opening	55 3/4 (1415)
Skirt Height	9 (230)
Drain Rough-In (from Back Wall)	15 3/4 (400)
Drain Rough-In (from Side Wall)	30 (760)
Drain: Diameter / Clearance	3 1/4 (85) / 3 3/4 (95)

FRAMING DIMENSIONS inches (mm)

Type	D Depth	W Width	H Height	A	B	C
Alcove	36 1/4 (920)	60 1/8 (1525)	-	Box Out	30 (760)	15 3/4 (400)

