

### EVOLUTION™ 2 ROUND FRONT TOILET

#### □ 2426.012

- Vitreous china
- Low-consumption (6.0 Lpf/1.6 gpf)
- 305mm (12") rough-in
- Round front siphon action bowl with direct-fed jet
- Fully glazed 2" Trapway
- Generous 9" x 8" water surface area
- Pilot Valve Water Control
- 2" Flapper flush valve
- Color-matched trip lever
- Sanitary bar on bowl
- 2 color matched bolt caps
- 100% factory flush tested
- 2 Year Limited Warranty on Total Toilet

#### □ 3061.016 Round Front Bowl

#### □ 3061.001 Round Front Universal Bowl

#### □ 4061.016 Tank



#### Nominal Dimensions:

704 x 456 x 722mm  
(27-3/4" x 18" x 28-3/8")

Fixture only, seat and supply by others

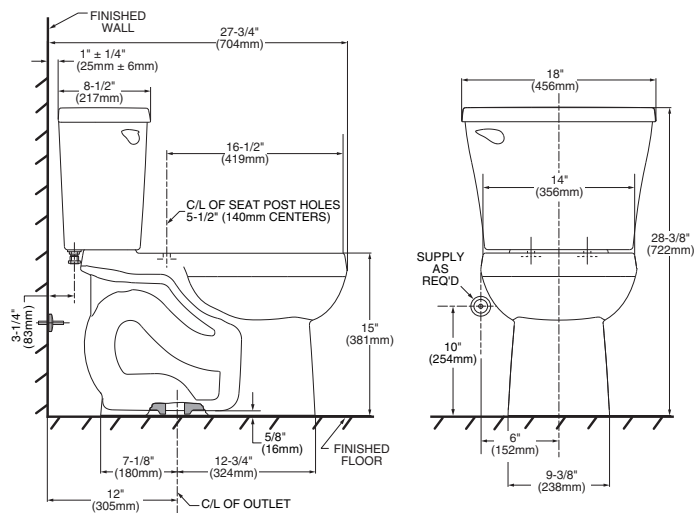
#### Alternate Tank Configurations Available:

- 4061.500 Tank complete with Aquagard liner
- 4061.800 Tank complete with tank lever located on right side

#### Compliance Certifications -

#### Meets or Exceeds the Following Specifications:

- ASME A112.19.2-2008/CSA B45.1-08 for Vitreous China Fixtures



#### To Be Specified:

- Color: □ White □ Bone □ Linen
- Seat: American Standard #5322.019 "Rise and Shine" solid plastic closed front seat with cover.
- Seat: American Standard #5308.012 "Laurel" molded closed front seat with cover.
- Seat: American Standard #5320.110 EverClean™ Elongated Seat with Cover and Slow Close Snap-Off hinges
- Alternate Seat:
- Supply with stop:

#### NOTES:

THIS COMBINATION IS DESIGNED TO ROUGH-IN AT A MINIMUM DIMENSION OF 305MM (12") FROM FINISHED WALL TO C/L OF OUTLET. \* DIMENSION SHOWN FOR LOCATION OF SUPPLY IS SUGGESTED. SUPPLY NOT INCLUDED WITH FIXTURE AND MUST BE ORDERED SEPARATELY.

**IMPORTANT:** Dimensions of fixtures are nominal and may vary within the range of tolerance established by ANSI Standard A112.19.2. These measurements are subject to change or cancellation. No responsibility is assumed for use of superseded or voided pages.