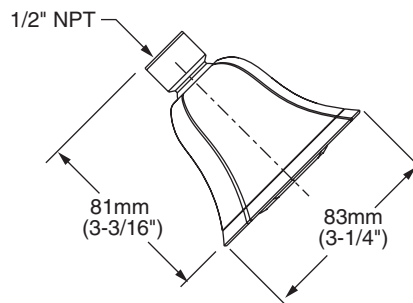




MODEL NUMBER:

- ☐ 1660.811 FloWise® Square Water Saving Showerhead Only



GENERAL DESCRIPTION:

Showerhead uses 40% less water than standard 2.5gpm showerheads. Showerhead rated at 1.5gpm/5.7L/min. maximum flow rate. Showerhead has single spray function using Turbine Technology. Pressure compensating flow control device.

PRODUCT FEATURES:

Water Saving: Saves 40% in water usage.

Pressure Compensating Flow Control Device: Provides consistent flow over a wide pressure range.

Single Function: Showerhead provides drenching spray for full coverage of the user.

Easy Clean Spray Nozzles: Easily clean lime and calcium build up. Nozzles will not clog.

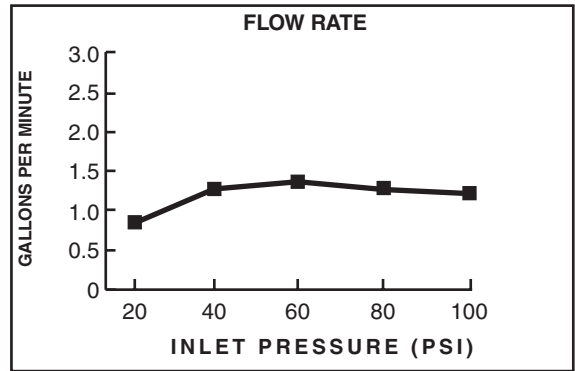
SUGGESTED SPECIFICATION

Showerhead shall save 40% in water usage. Showerhead shall always start at 1.5gpm/5.7L/min. Showerhead shall have a pressure compensating control device. Fitting shall be American Standard Model # 1660.811.____.



CODES AND STANDARDS

These products meet or exceed the following codes and standards:

ASME A112.18.1
CSA 125.1



Product Number	Description	Finish Options		
		Polished Chrome	Oil Rubbed Bronze	PVD Satin Nickel
1660.811	FloWise® Square Water Saving Showerhead Only.	002	224	295

Showerhead Accessories	
Product Number	Description
1660.240	Standard Shower Arm and Flange 
1660.241	Modern Shower Arm and Flange 
1660.242	Square Cast Shower Arm 