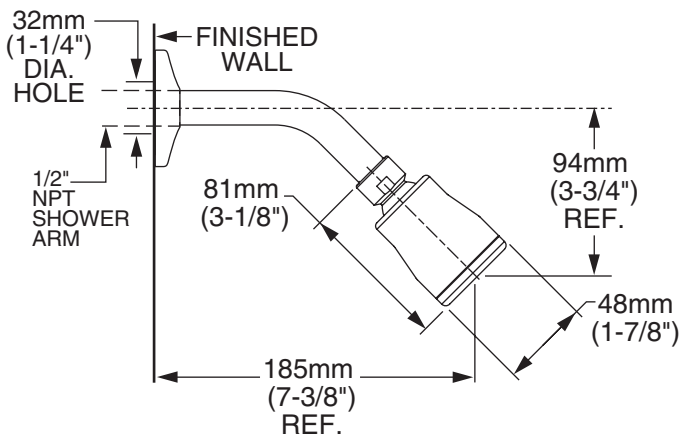




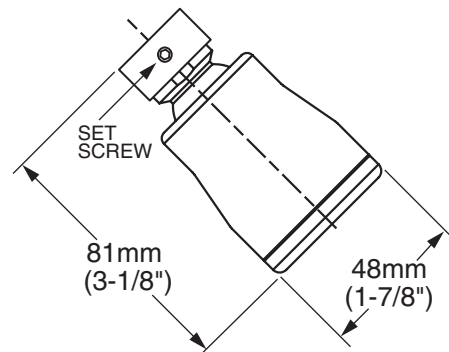
1660.731 Shown

MODEL NUMBER:

- 1660.731 FloWise® Water Saving Showerhead with Shower Arm & Flange**
- 1660.710 FloWise® Water Saving Showerhead Only**
- 1660.711 FloWise® Vandal Resistant Water Saving Showerhead Only**



**VANDAL RESISTANT VERSION
1660.711**



GENERAL DESCRIPTION:

Showerhead uses 40% less water than standard 2.5gpm showerheads. Showerhead rated at 1.5gpm/5.7L/min. maximum flow rate. Showerhead has single spray function using Turbine Technology. Pressure compensating flow control device. Vandal Resistant model includes tamper-proof metal sleeve with set screw to lock showerhead in place.

PRODUCT FEATURES:

- Water Saving:** Saves up to 40% in water usage.
- Pressure Compensating Flow Control Device:** Provides consistent flow over a wide pressure range.
- Single Function:** Showerhead provides drenching spray for full coverage of the user.

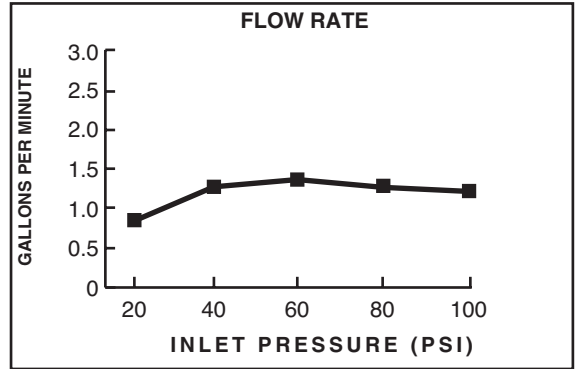
SUGGESTED SPECIFICATION

Showerhead shall save 40% in water usage. Showerhead shall always start at 1.5gpm/5.7L/min. Showerhead shall have a pressure compensating control device. Fitting shall be American Standard Model # 1660.7 ____.

CODES AND STANDARDS

These products meet or exceed the following codes and standards:

ASME A112.18.1
CSA 125.1



Product Number	Description	Finish Options				
		Polished Chrome	PVD Blackened Bronze	PVD Stainless Steel	PVD Polished Brass	PVD Satin Nickel
		002	068	075	099	295
1660.731	FloWise® Water Saving Showerhead. With Shower Arm & Flange.					
1660.710	FloWise® Water Saving Showerhead Only.					
1660.711	FloWise® Vandal Resistant Water Saving Showerhead Only.		N/A	N/A	N/A	N/A