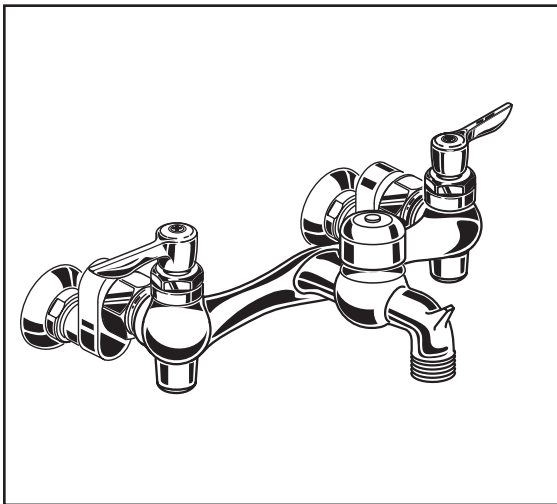


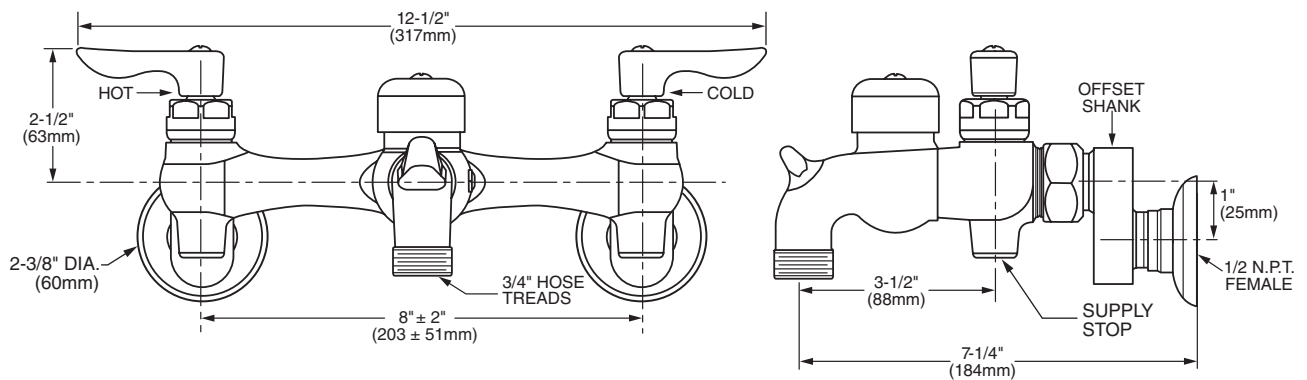
EXPOSED YOKE WALL-MOUNT UTILITY FAUCET

WITH VACUUM BREAKER AND OFFSET SHANKS



MODEL NUMBER:

- 8351.076 Exposed Yoke Wall-Mount Utility Faucet**
 3" Cast brass spout with vacuum breaker. Ceramic disc valves. Integral supply stops. Offset shanks with integral check valves. Vandal-resistant metal lever handles. Bucket hook. 3/4" Threaded hose end. 1/2" NPT female inlets. Adjustable centers-to-centers: 6" - 10" (152mm - 254mm).



GENERAL DESCRIPTION:

Cast brass body. Metal lever handles with hot and cold indicators and vandal-resistant screws. 1/4 turn ceramic disc valve cartridges. Vacuum breaker prevents back flow. Integral supply stops. Offset shanks with integral check valves to prevent cross-flow. Spout with bucket hook and threaded hose end. 1/2" female inlets with adjustable centers from 6" to 10" (152mm to 254mm).

PRODUCT FEATURES:

Cast Brass Construction: Durable - Excellent in high use applications.

Ceramic Disc Valve Cartridges: Assure a lifetime of drip-free performance.

Integral Supply Stops: Permits easy and convenient access.

Offset Shanks with Integral Check Valves: Adjustable rough-in from 6" to 10" (152mm to 254mm).

Vacuum Breaker: Prevents back flow.

Choice of Finishes: Available in Polished Chrome (002) or Rough Chrome (004).

SUGGESTED SPECIFICATION

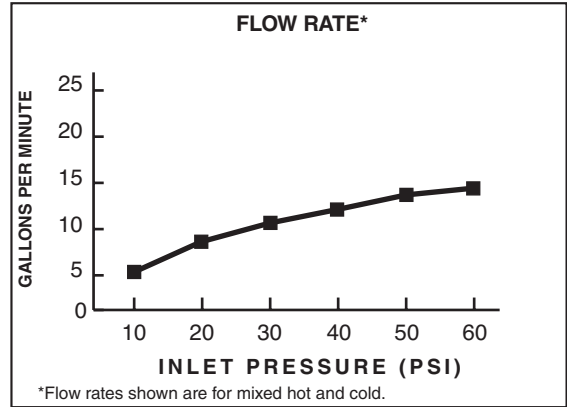
Exposed yoke wall-mount utility faucet shall feature a cast brass body with integral stops. Cast brass spout with bucket hook and vandal-resistant metal lever handles. Offset shanks with integral check valves to prevent cross-flow, provide adjustable rough-in from 6" - 10" (152mm to 254mm). Shall feature a vacuum breaker to prevent back flow. Shall also feature 1/4 turn washerless ceramic disc valve cartridges. Fitting shall be American Standard Model # 8351.076. ____.

**EXPOSED YOKE WALL-MOUNT
UTILITY FAUCET
WITH VACUUM BREAKER AND OFFSET SHANKS**

CODES AND STANDARDS

These products meet or exceed the following codes and standards:

- ASME A112.18.1**
- CSA B 125**
- ANSI A117.1**



Product Number	Description	Finish Options	
		Polished Chrome 002	Rough Chrome 004
8351.076	Exposed yoke wall-mount utility faucet. Ceramic disc valves. Integral supply stops. Offset shanks with integral check valves. Vandal-resistant lever handles.		

 MEETS THE AMERICANS WITH DISABILITIES ACT GUIDELINES AND ANSI A117.1 REQUIREMENTS FOR ACCESSIBLE AND USABLE BUILDING FACILITIES-CHECK LOCAL CODES