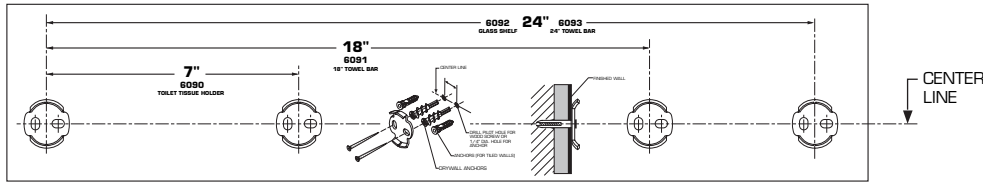
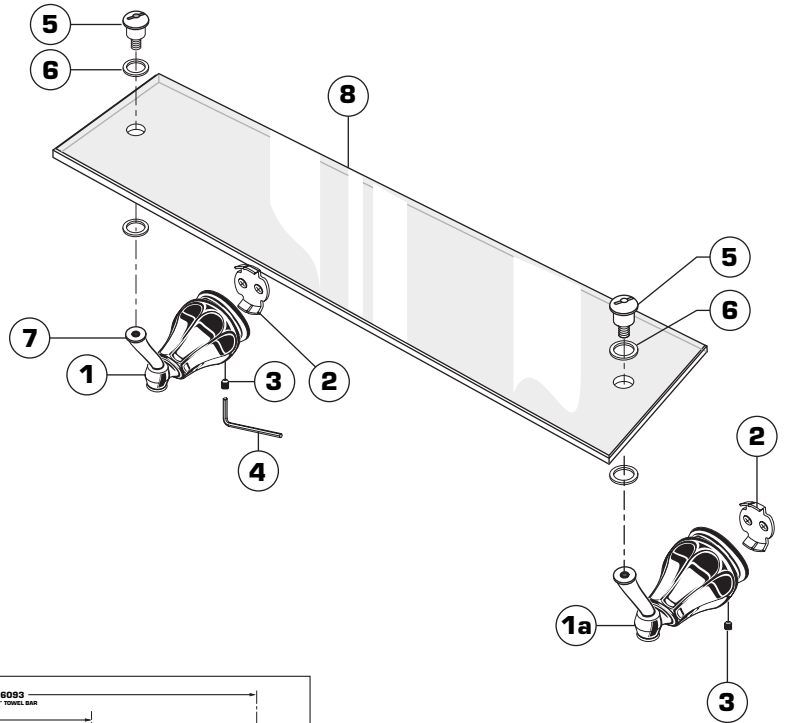
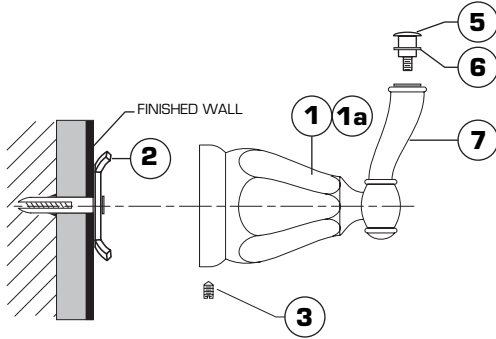


3

INSTALL GLASS SHELF

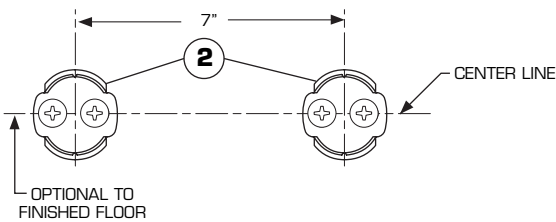
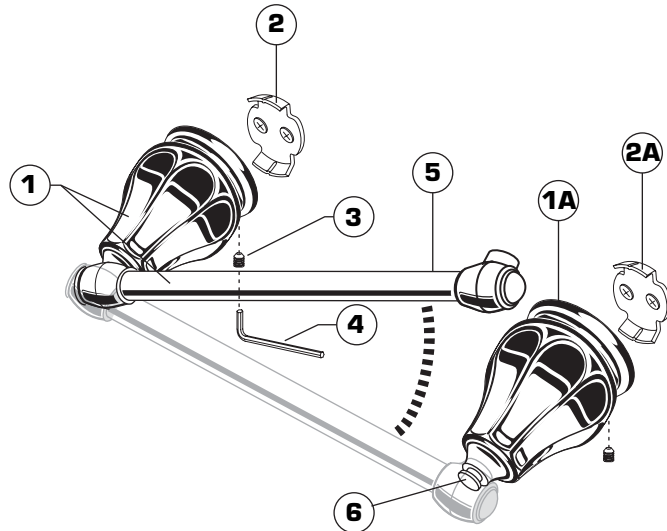
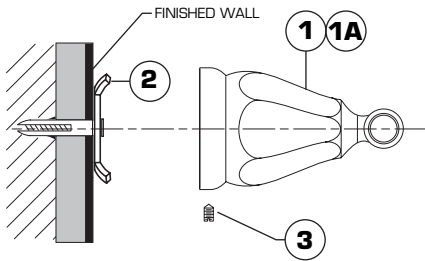
- Place ESCUTCHEON (1, 1a) onto installed MOUNTING BRACKETS (2) and secure with SET SCREWS (3) using 2.5mm HEX WRENCH (4) supplied.
- Remove SCREW (5) and top WASHER (6) from SHELF RISER (7).
- Install GLASS SHELF (8) onto SHELF RISERS (7).
- Secure GLASS SHELF (8) with SCREWS (5) and WASHERS (6).



4

INSTALL TOILET TISSUE HOLDER

- Place ESCUTCHEON with TISSUE PAPER ROD ATTACHED (1) onto LEFT MOUNTING BRACKET (2) and secure with SET SCREW (3) using 2.5mm HEX WRENCH (4) supplied.
- Attach ESCUTCHEON (1A) to RIGHT MOUNTING BRACKET (2A) and secure with set screw (3) using 2.5mm HEX WRENCH (4) supplied.
- Swing TISSUE PAPER ROD (5) onto LATCH (6) at the tip of the RIGHT ESCUTCHEON (1A) to complete assembly.



American Standard

ACCESSORIES 18" & 24" TOWEL BAR; GLASS SHELF; TOILET TISSUE HOLDER

MODEL NUMBERS

6028.230	6090
6028.180	6091
6028.244	6092
6028.024	6093

M962437-YYY0A
INDEX BUTTON
& O-RING

M918659-0070A
SCREW

M962433-0070A
MOUNTING KIT

M962438-YYY0A
ESCUTCHEON

M919215-YYY0A
BAR 18"

M919216-YYY0A
BAR 24"

18" & 24" TOWEL BAR

M917139-0070A
SET SCREW

M922342-YYY0A
CRANK

M962439-YYY0A
END CAP & O-RING

24" GLASS SHELF

M962350-0070A
SHELF MOUNTING KIT

M922275-0070A
GLASS SHELF

M962433-0070A
MOUNTING KIT

TOILET TISSUE HOLDER

M962433-0070A
MOUNTING KIT

M962433-0070A
MOUNTING KIT

M962438-YYY0A
ESCUTCHEON

M922347-YYY0A
RAISER

M917139-0070A
SET SCREW

M918659-0070A
SCREW

M962437-YYY0A
INDEX BUTTON
& O-RING

M962442-YYY0A
ESCUTCHEON & ROD

M962441-YYY0A
ESCUTCHEON ASSEMBLY

Replace the "YYY" with
appropriate finish code

CHROME	002
BRUSHED BRASS	275
SATIN	295



HOT LINE FOR HELP
For toll-free information and answers to your questions, call:
1-800-442-1902
Weekdays 8:00 a.m. to 8:00 p.m. EST
IN MEXICO 01-800-839-12-00
IN CANADA 1-800-387-0369 (TORONTO 1-905-306-1093)
Weekdays 8:00 a.m. to 7:00 p.m. EST

Product names listed herein are trademarks of American Standard Inc.
© American Standard Inc. 2005

M968860 REV. 1.1