

TROPIC

IN WALL PRESSURE BALANCING BATH AND SHOWER TRIM KIT

with EverClean™ Finish

Congratulations on purchasing your American Standard faucet with EverClean finish found only on American Standard faucets.

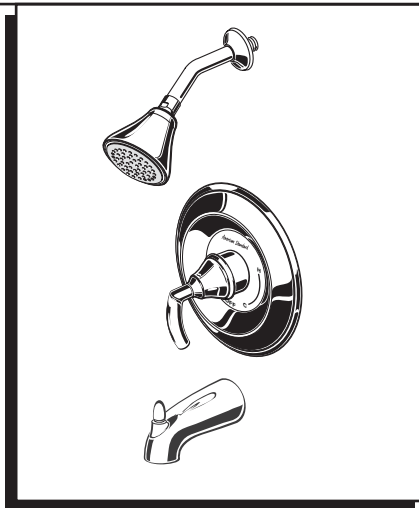
EverClean Finish

- One wipe effortlessly removes spots
- Eliminates the need for cleaners and scrubbing
- Permanent surface protectant remains beautiful for the life of the faucet
- EverClean™ available on: Polished Chrome, Satin Nickel, Stainless Steel, Polished Brass (or any combination of these finishes)

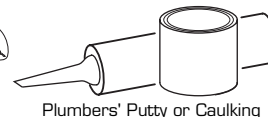
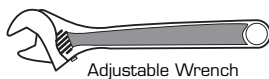
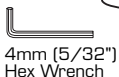
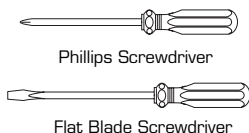
Certified to comply with ANSI A112.18.1

To ensure that your installation proceeds smoothly—please read these instructions carefully before you begin.

M968895

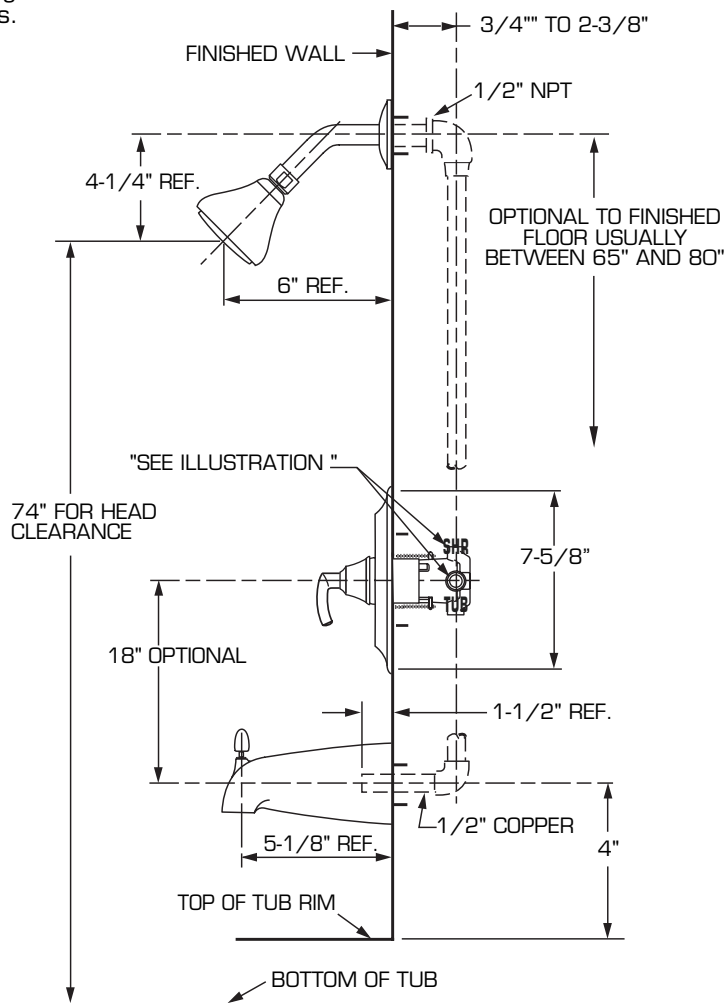


Required Tools



ROUGHING-IN DIMENSIONS

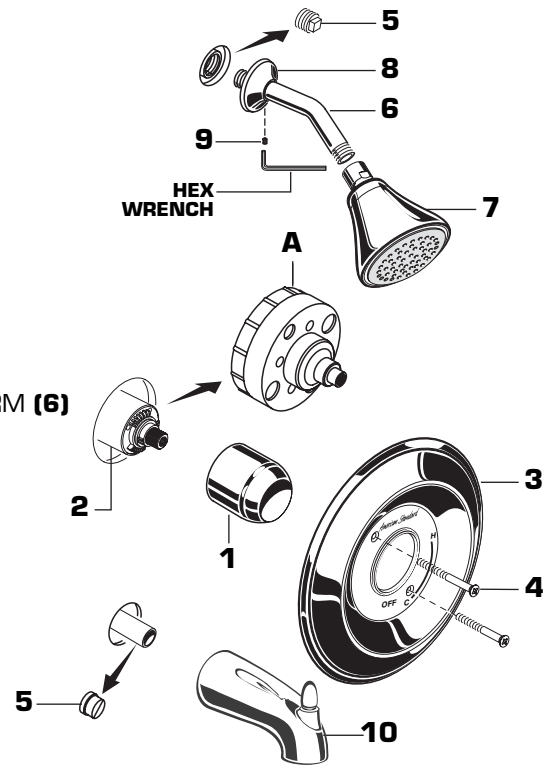
- To assure proper positioning in relation to wall, note roughing-in dimensions.



1 INSTALL TRIM

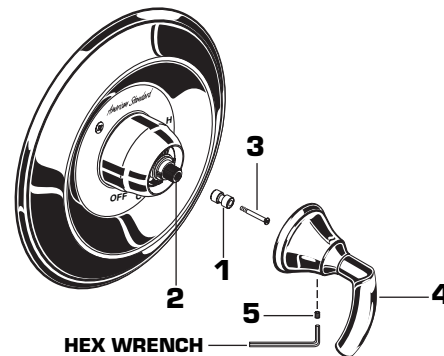
CAUTION: Protect finish on SHOWER ARM, SHOWER HEAD and TUB SPOUT when installing.

- When finished tiling the wall, remove PLASTER GUARD (A) and turn off water supply.
- Push CAP (1) over VALVE CARTRIDGE (2).
- Mount ESCUTCHEON (3) and gasket to valve body with SCREWS (4).
- Remove PIPE CAP & PLUG (5) from shower pipe and tub filler pipe.
- Apply Teflon Tape to both ends of SHOWER ARM (6). Install SHOWER ARM (6) with FLANGE (8) into shower pipe and tighten.
- Thread SHOWER HEAD (7) onto ARM (6) and tighten.
- Push SHOWER ARM FLANGE (8) to wall and tighten SET SCREW (9) with 5/64" hex wrench.
- Install SLIP-ON DIVERTER SPOUT (10) onto filler pipe and tighten.



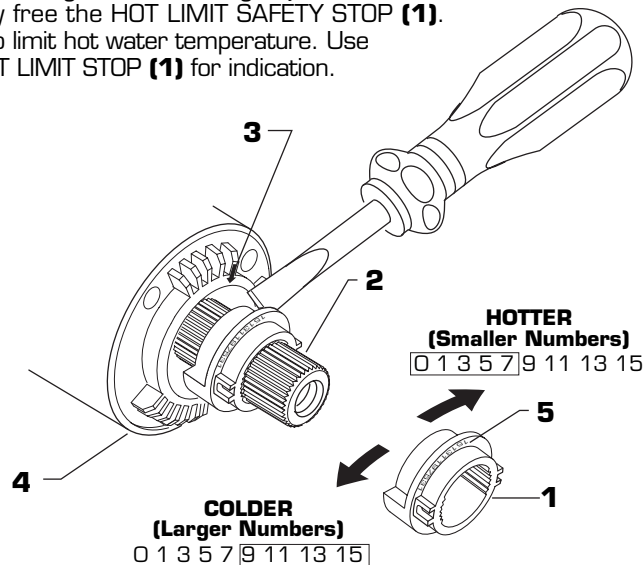
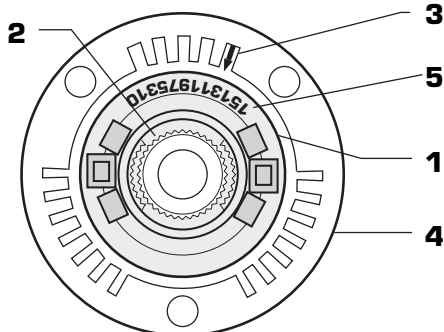
2 INSTALL HANDLE and TEST FITTING

- Install ADAPTER (1) onto VALVE STEM (2) using SCREW (3).
- Align and install HANDLE (4) and tighten with SET SCREW (5) using 2.5mm Hex Wrench supplied.
- Check proper operation of HANDLE (4).
- Turn on water supply on and test installed fitting. Operate valve and diverter spout.



3 ADJUST HOT LIMIT STOP

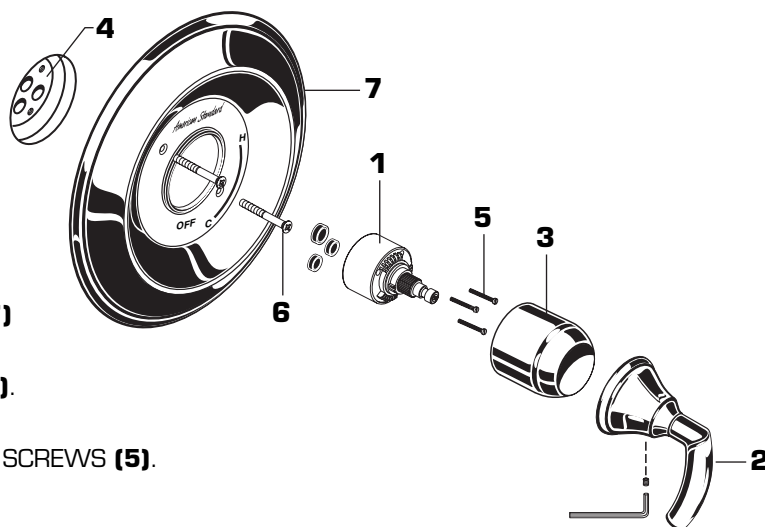
- By restricting HANDLE rotation and limiting the amount of hot water allowed to mix with the cold, the HOT LIMIT SAFETY STOP (1) reduces risk of accidental scalding. To set the maximum hot water temperature of your faucet, all you need to do is adjust the setting on the HOT LIMIT SAFETY STOP (1).
- Turn CARTRIDGE STEM (2) to the OFF position (coldest setting) before making adjustment to HOT LIMIT STOP (1). Use a flat blade screwdriver to pry free the HOT LIMIT SAFETY STOP (1). Pull forward and rotate counterclockwise one number to limit hot water temperature. Use ARROW (3) on CARTRIDGE (4) and NUMBERS (5) on HOT LIMIT STOP (1) for indication.



4 SERVICE

- If faucet drips, operate handle several times from "off" to "on". Do not apply excessive force.
- Clogged CARTRIDGE (1) inlets may cause reduced flow in "full on" hot or cold. To clean inlets, first turn off water supply, then:

- Remove HANDLE (2).
- Remove two SCREWS (6) holding ESCUTCHEON (7) and remove ESCUTCHEON (7).
- Remove CAP (3), SCREWS (5) and CARTRIDGE (1). Clean inlets and MANIFOLD (4).
- Reassemble CARTRIDGE (1), alternately tightening SCREWS (5).
- Replace CAP (3) and HANDLE (2). Check flow.



SERVICE: VALVE LEAKS WHEN SHUT OFF

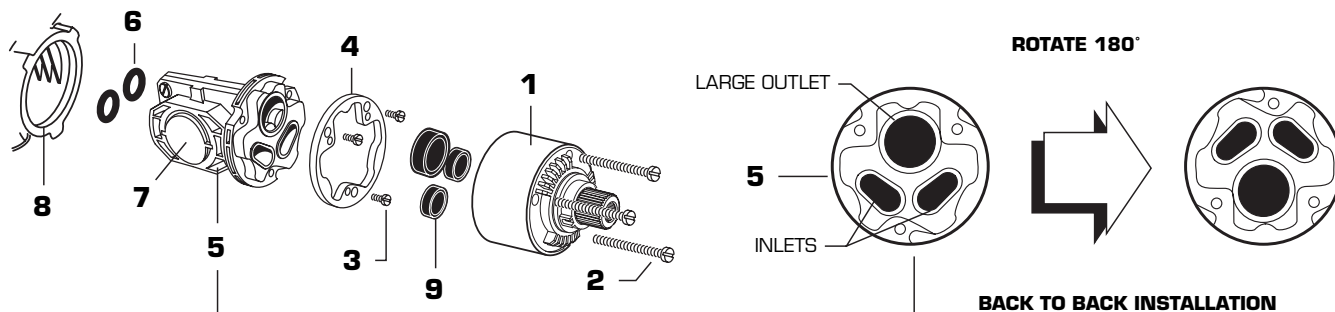
- Remove handle and trim.
- Remove CARTRIDGE (1) by removing CARTRIDGE SCREWS (2). Remove three SCREWS (3) from FIXATION RING (4) and pull out PRESSURE BALANCING (5) unit.
- Clean SEALS (9) on base of CARTRIDGE (1). Check base of PRESSURE BALANCING UNIT (5) and clean O-RINGS (6). Remove CAPS (7) and check O-RINGS on inside of CAPS (7). Clean inside sealing surfaces of VALVE BODY (8).
- Re-assemble PRESSURE BALANCING UNIT (5) and CARTRIDGE (1). Tighten all screws.
- Turn on water supply and see above for installing TRIM and HANDLE.

UNABLE TO MAINTAIN CONSTANT TEMPERATURE

- Remove PRESSURE BALANCE UNIT (5).
- Remove CAPS (7) and clean valve thoroughly.
- Examine balancing unit and check condition of O-ring on end of piston. Piston should move back and forth. Order Repair Part M952100-0070A if balancing unit is defective.
- Replace CAPS (7) and install PRESSURE BALANCE UNIT (5). Make sure inlets line up with two holes in bottom of casting. Top flange should butt-up against top of casting.

BACK TO BACK INSTALLATION

- Remove PRESSURE BALANCE UNIT (5). Rotate PRESSURE BALANCE UNIT (5) 180° so that the inlets face up and the large outlet port faces down.
- Push PRESSURE BALANCE UNIT (5) in casting make sure inlets line up with holes in bottom of casting. Top flange should butt up against top of casting.
- Reassemble FIXATION RING (4) and CARTRIDGE (1).



EverClean™ Finish Care Instructions

American Standard's EverClean finish will wipe clean with a soft, dry cloth. A soft cloth with clean water may also be used, if desired. No additional cleaning products are required.

DO NOT USE: Soaps, acid, polish, abrasives, harsh cleaners, or a cloth with a coarse surface.

M968895