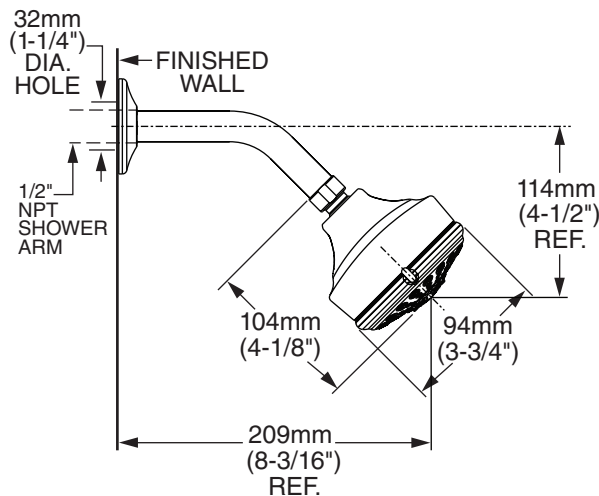


1660.635 Shown

**MODEL NUMBER:**

- 1660.635 Modern 5-Function Showerhead Only
- 1660.636 Modern 5-Function Showerhead with Shower Arm & Flange



**GENERAL DESCRIPTION:**

5-Function showerhead. Spray pattern adjusts from full spray to full/massage combination (1) to pulsating massage to massage/mist combination (2) to power mist. Includes pressure compensating flow control device. Brass ball joint. Easy clean spray nozzles. 2.5gpm/9.5L/min. maximum flow rate.

**PRODUCT FEATURES:**

**Variety of Spray Patterns:** Allows the user to select the type of spray best suited to their needs.

**Pressure Compensating Flow Control Device:** Provides consistent flow over a wide pressure range.

**Simple Spray Pattern Adjustment:** Spray patterns can be changed with the flick of a finger.

**Easy Clean Spray Nozzles:** Easily clean lime and calcium buildup. Nozzles will not clog.

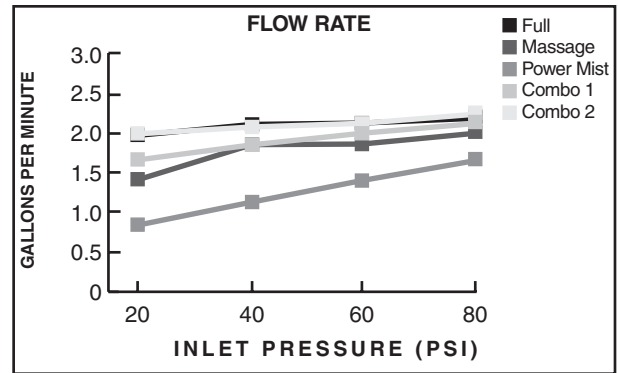
**SUGGESTED SPECIFICATION**

Showerhead shall have at least 5 spray patterns and brass ball joint. Showerhead shall have a pressure compensating control device. Fitting shall be American Standard Model # 1660.63\_.\_.

**CODES AND STANDARDS**

These products meet or exceed the following codes and standards:

**ASME A112.18.1  
CSA 125.1**



Product Number	Description	Finish Options	
		Polished Chrome	PVD Satin Nickel
		002	295
1660.635	Modern 5-Function Showerhead Only		
1660.636	Modern 5-Function Showerhead with Shower Arm & Flange		