

**ALCOVE SHOWER BASE**

**Product Features:**

- Acrylic with fiberglass reinforcement
- Single threshold unit
- Textured bottom pattern
- Integral self-leveling base
- Integral three-sided, double tiling edge with water retention flange
- Molded-in flood guard
- PVC shower drain with stainless steel drain plate

**4242.ST ALCOVE SHOWER BASE**

**Nominal Dimensions:**

1070 x 1070 x 168mm  
(42-1/8" x 42-1/8" x 6-5/8")

**3636.ST ALCOVE SHOWER BASE**

**Nominal Dimensions:**

914 x 919 x 168mm  
(36" x 36-3/16" x 6-5/8")

**3232.ST ALCOVE SHOWER BASE**

**Nominal Dimensions:**

813 x 813 x 168mm  
(32" x 32" x 6-5/8")

Does not meet IAPMO minimum inside square inch requirements of 1,024 square inches.

**Compliance Certifications -**

**Meets or Exceeds the Following Specifications:**

- ANSI Z124.2 for Plastic Shower
- ASTM E162 for Surface Flammability
- NFPA 258 for Smoke Density



SEE REVERSE SIDE FOR ROUGHING-IN DIMENSIONS  
AND PRODUCT SPECIFICATIONS

**To Be Specified - Required:**

- Color: (specify color)

**To Be Specified - Optional:**

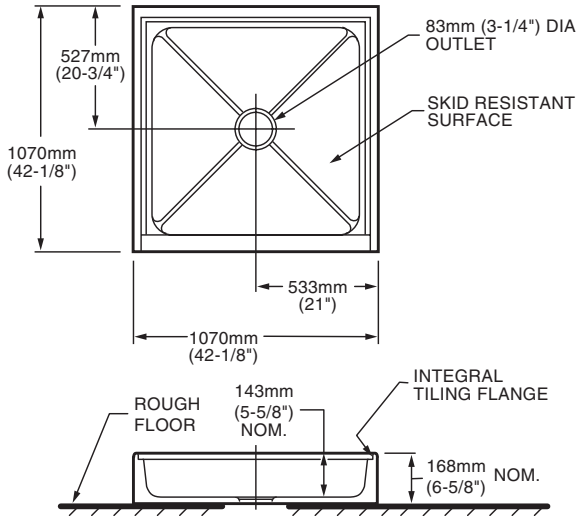
- Metal Drain Plate:
  - 751819-099 in Polished Brass
  - or
  - 751819-295 in Satin Nickel

**NOTES:**

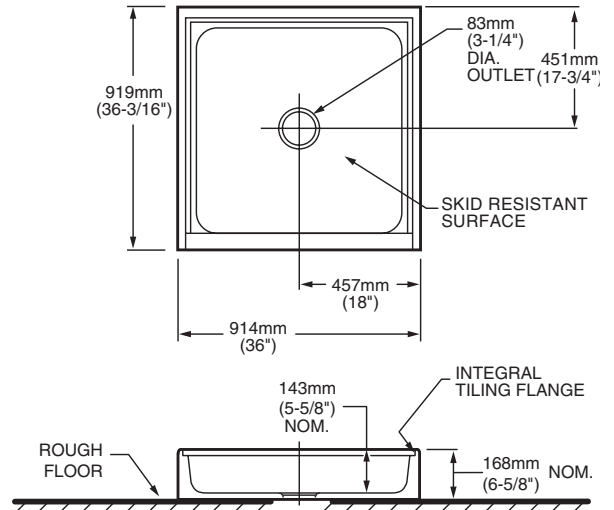
REFER TO INSTALLATION INSTRUCTIONS SUPPLIED WITH SHOWER BASE FOR ADDITIONAL INFORMATION.

**IMPORTANT:** Dimensions of fixtures are nominal and may vary within the range of tolerances established by ANSI Standard Z124.1 / CSA. These measurements are subject to change or cancellation. No responsibility is assumed for use of superseded or voided pages.

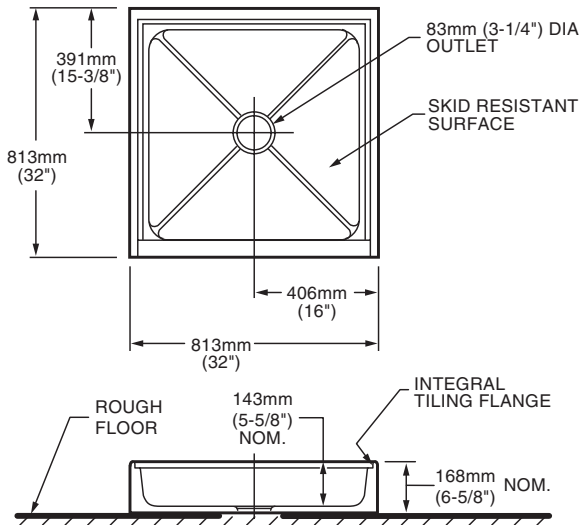
**4242.ST**



**3636.ST**



**3232.ST**



**GENERAL SPECIFICATIONS FOR 4242.ST SHOWER BASE**

INSTALLED SIZE \_\_\_\_\_ 1070mm X 1070mm X 168mm  
(42-1/8 X 42-1/8 X 6-5/8 IN.)  
WEIGHT \_\_\_\_\_ 43 Kg. (95 LBS.)  
WEIGHT w/WATER \_\_\_\_\_ 172 Kg. (382 LBS.)  
SHOWER WELL AT SUMP \_\_\_\_\_ 895mm X 895mm (34-5/8 X 34-5/8 IN.)  
SHOWER WELL AT RIM \_\_\_\_\_ 946mm X 965mm (37-1/4 X 38 IN.)  
FLOOR LOADING \_\_\_\_\_ 151 Kgs/Sq. m. (32 LBS./SQ. FT.)  
(PROJECTED AREA)

**GENERAL SPECIFICATIONS FOR 3636.ST SHOWER BASE**

INSTALLED SIZE \_\_\_\_\_ 914 x 919 x 168mm (36" x 36-3/16" x 6-5/8")  
WEIGHT \_\_\_\_\_ 25 Kg. (56 LBS.)  
WEIGHT w/WATER \_\_\_\_\_ 87 Kg. (193 LBS.)  
SHOWER WELL AT SUMP \_\_\_\_\_ 749mm X 711mm (29-1/2 X 28 IN.)  
SHOWER WELL AT RIM \_\_\_\_\_ 826mm X 787mm (32-1/2 X 31 IN.)  
FLOOR LOADING \_\_\_\_\_ 104 Kgs/Sq. m. (21 LBS./SQ. FT.)  
(PROJECTED AREA)

**GENERAL SPECIFICATIONS FOR 3232.ST SHOWER BASE**

INSTALLED SIZE \_\_\_\_\_ 813mm X 813mm X 168mm  
(32 X 32 X 6-5/8 IN.)  
WEIGHT \_\_\_\_\_ 21 Kg. (46 LBS.)  
WEIGHT w/WATER \_\_\_\_\_ 70 Kg. (154 LBS.)  
SHOWER WELL AT SUMP \_\_\_\_\_ 686mm X 648mm (27 X 25-1/2 IN.)  
SHOWER WELL AT RIM \_\_\_\_\_ 724mm X 686mm (28-1/2 X 27 IN.)  
FLOOR LOADING \_\_\_\_\_ 105 Kgs/Sq. m. (22 LBS./SQ. FT.)  
(PROJECTED AREA)